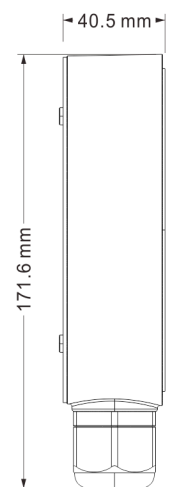
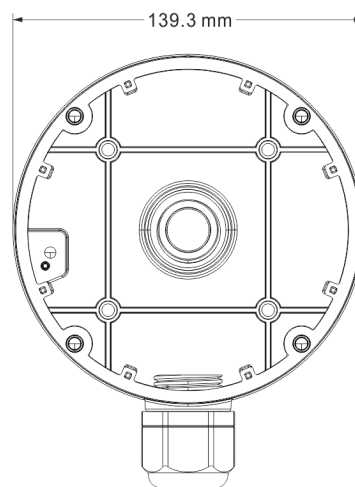
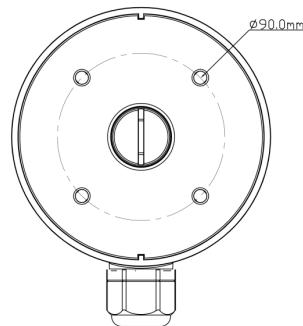
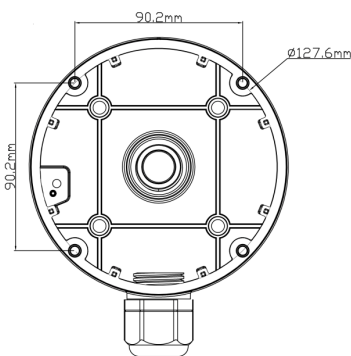


IPM-JB8

Junction Box for Paramount Series Cameras, White

Model	IPM-JB8
Material	Aluminum alloy
Color	White
Protection Grade	IP66
Packing Size	14.8 x 13 x 12.2 in (375x330x310mm)
Dimension	5.5 x 1.6 in (139.3x41mm)
Load Bearing	The wall must be strong enough to withstand at least 3 times the weight of the camera and the junction box
Net Weight	.8 lb (360g)
Working Temperature	-40°F ~ 140°F (-40°C ~ 60°C)
Working Humidity	10%~90%



Ordering Information
IPM-JB8: Junction Box