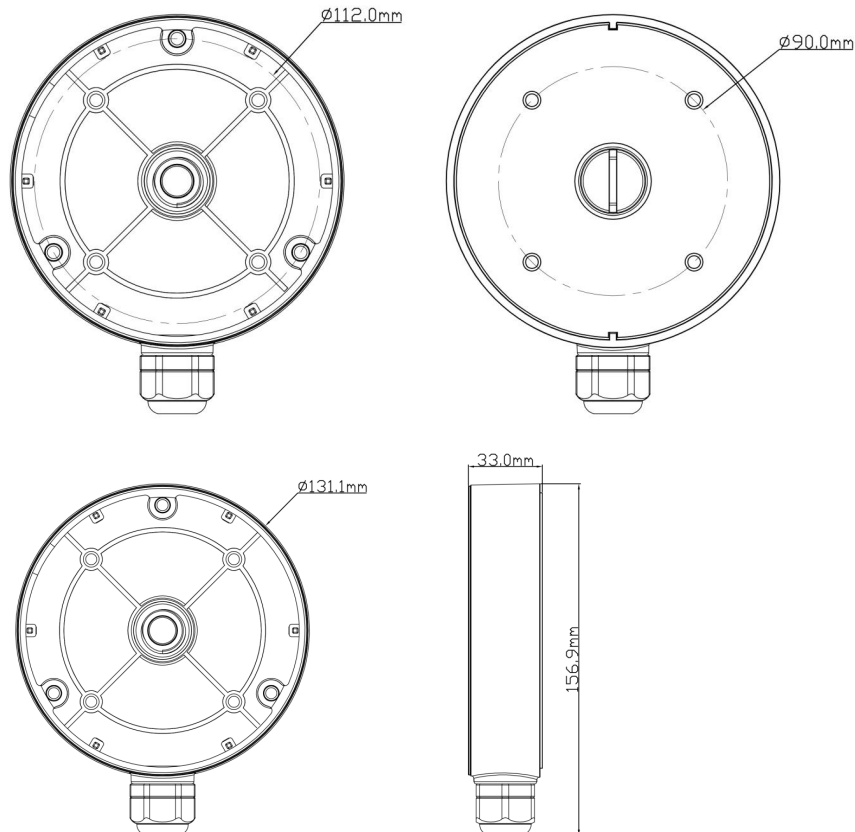


IPM-PANJB
Wall Mount

Model	IPM-PANJB
Material	Aluminum alloy
Color	White
Protection Grade	IP66
Packing Size	16.7 x 9.1 x 12.6 in (423x230x320mm)
Dimension	5.2 x 1.3 in (131x33mm)
Load Bearing	The wall must be strong enough to withstand at least 3 times the weight of the camera and the junction box
Net Weight	.5 lb (236g)
Working Temperature	-40°F ~ 140°F (-40°C ~ 60°C)
Working Humidity	10%~90%



Ordering Information
IPM-PANJB: Wall Mount