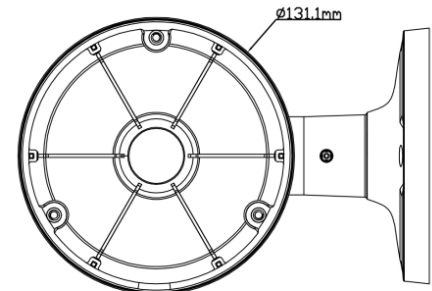
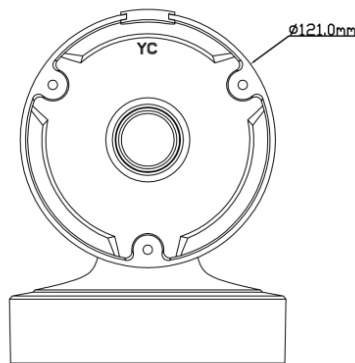
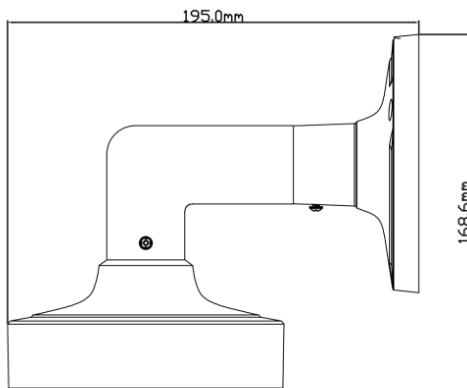
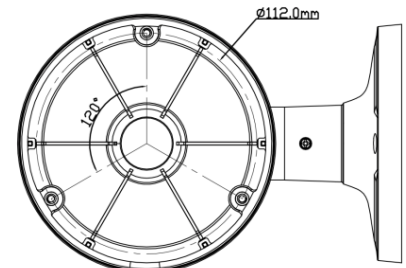
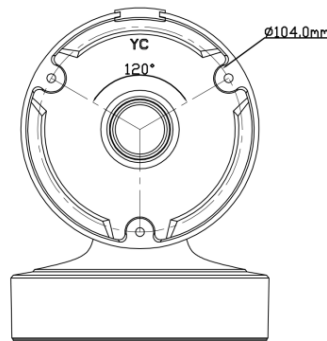
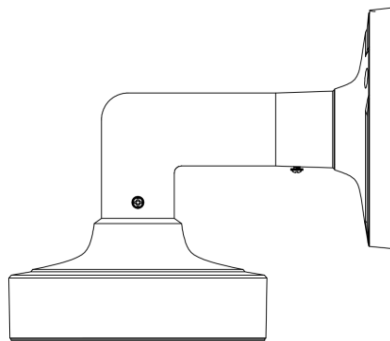




**IPM-PANWALL**  
Wall Mount

Model	IPM-PANWALL
Material	Aluminum alloy
Color	White
Packing Size	19.7 x 13.2 x 10.1 in (500 x 335 x 257mm)
Dimension	7.7 x 6.6 x 5.2 in (195 x 168.6 x 131mm)
Net Weight	1.3 lb (570g)
Load Bearing	The wall must be strong enough to withstand at least 3 times the weight of the camera and the bracket.
Working Temperature	-40°F ~ 140°F (-40°C ~ 60°C)
Working Humidity	10% ~ 90%



Ordering Information  
**IPM-PANWALL:** Wall Mount