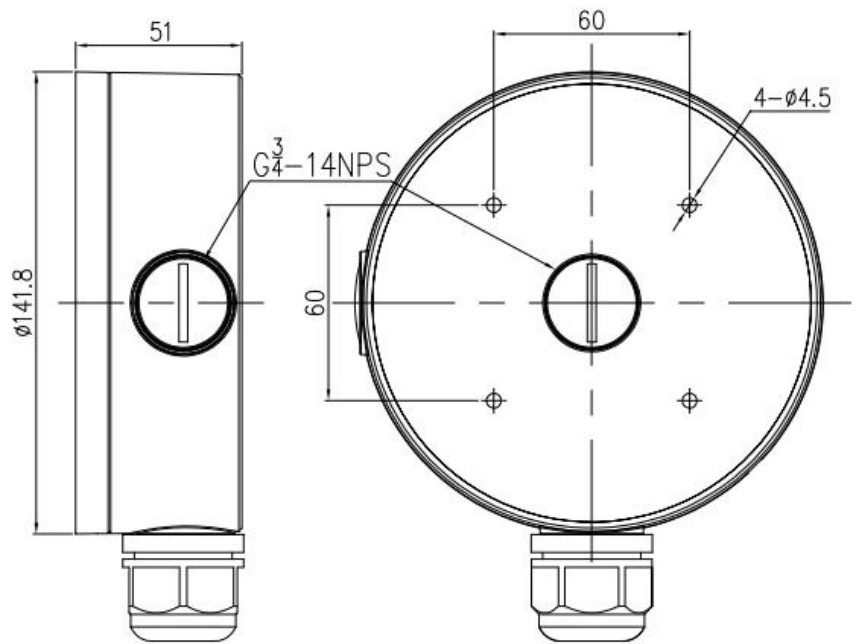




SEC-JB3
Junction Box

Parameters	SEC-JB3
Material	Aluminum alloy + Plastic
Color	White
Operating Humidity	0% - 90% RH
Load Bearing	6.61 lb (3 kg)
Product Dimensions	φ5.58 × 2.0" (φ141.8 × 51mm)
Product Weight	0.66 lb (0.58kg)



Ordering Information
SEC-JB3: Junction Box