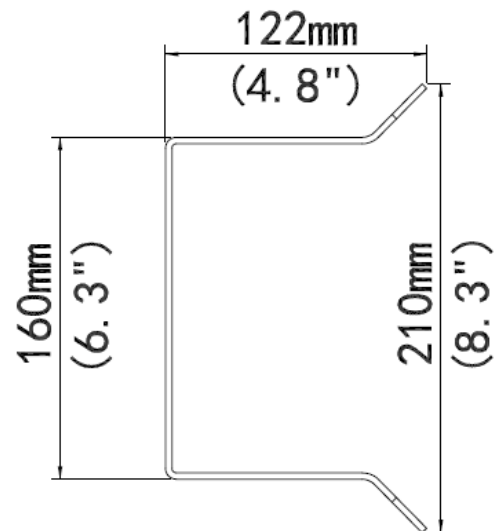
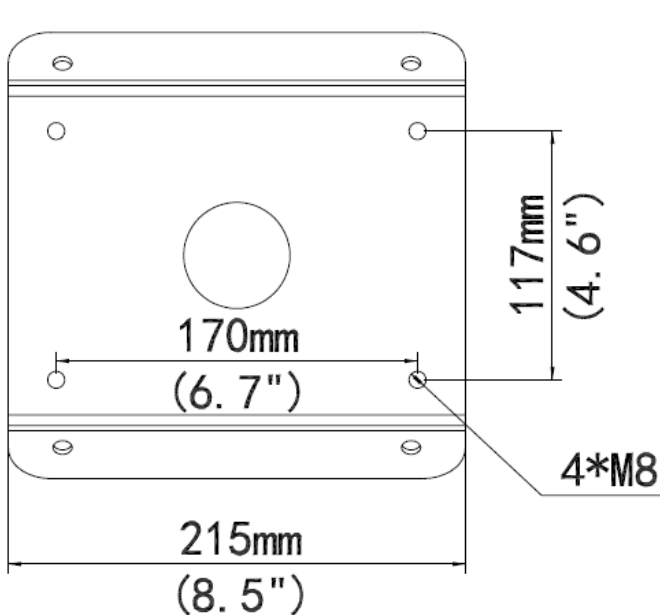




**IVM-CORNER1**

Corner Mount for Vision Series PTZ, White

Bracket	IVM-CORNER1
Application	Indoor or outdoor, PTZ Dome Corner installation
Dimensions	8.5" x 8.3" x 4.8" (215mmx210mmx122mm)
Weight	4.1lb (1.87kg)
Material	Steel



Ordering Information

**IVM-CORNER1:** Corner Mount for PTZ