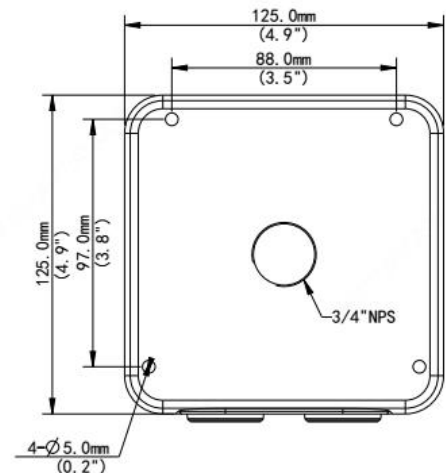
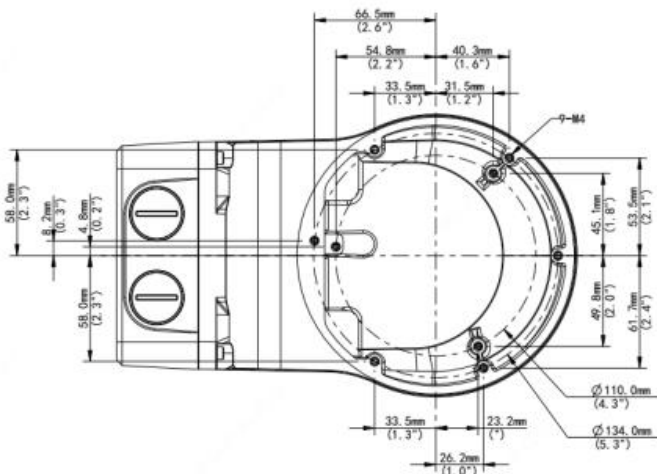
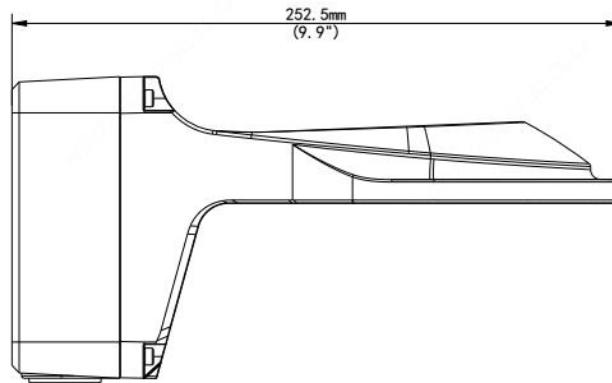




IVM-DRWM1

Wall Mount for Vision Series Dome, White

Bracket	IVM-DRWM1
Application	Outdoor or indoor cable junction box for PTZ Dome series
Dimensions	11.7" x 9.6" x 5" (296mmx244mmx127mm)
Weight	5.5lb (2.5kg)
Material	Aluminum alloy



Ordering Information
IVM-DRWM1: Wall Mount