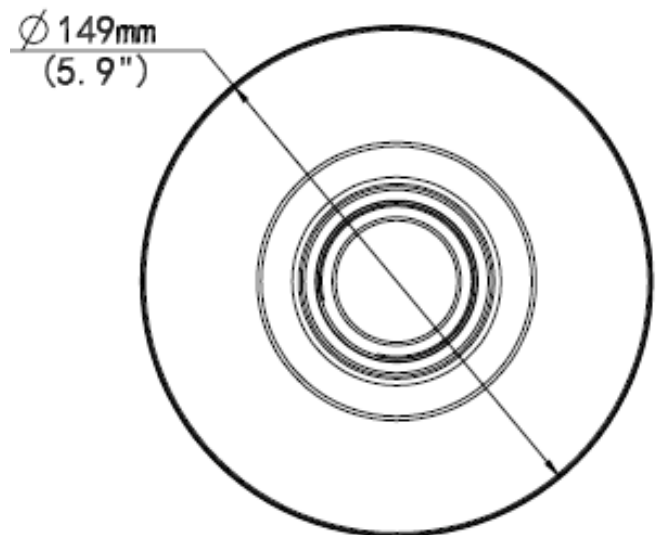
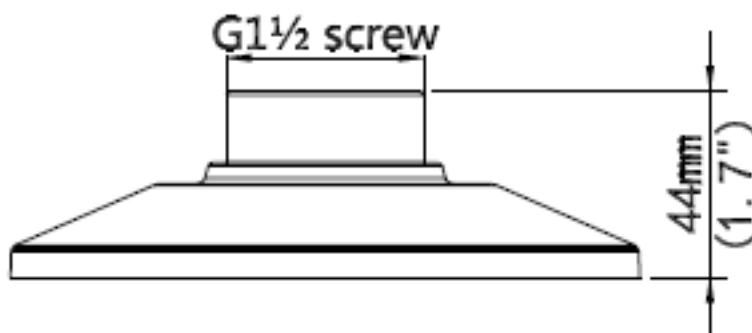


**IVM-FISHEYEPLATE**

Vision Series Fish Eye Plate Mount, White

Bracket	IVM-FISHEYEPLATE
Application	Indoor, wall or pendant installation
Dimensions	Φ5.9" x1.7" (Φ149mmx44mm)
Weight	0.44lb (0.2kg)
Material	Aluminum alloy



Ordering Information

**IVM-FISHEYEPLATE:** Fish Eye Plate Mount