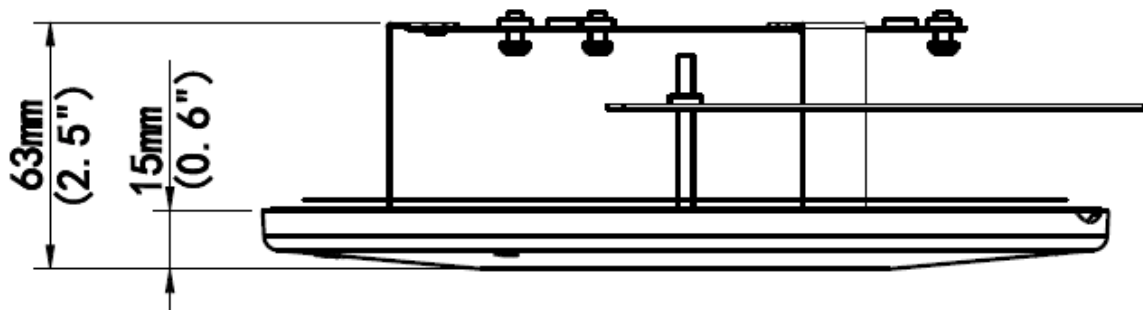




IVM-ICM1

In-Ceiling Mount for Vision Series Dome, White

Bracket	IVM-ICM1
Application	Indoor, indoor fixed dome in-ceiling installation
Dimensions	$\Phi 235\text{mm} \times 63\text{mm} (\Phi 9.3" \times 2.5")$ In-ceiling hole: $\Phi 195\text{mm} (\Phi 7.67")$
Weight	0.49kg(1.1lb)
Material	Sheet metal and ABS



Ordering Information

IVM-ICM1: In-Ceiling Mount