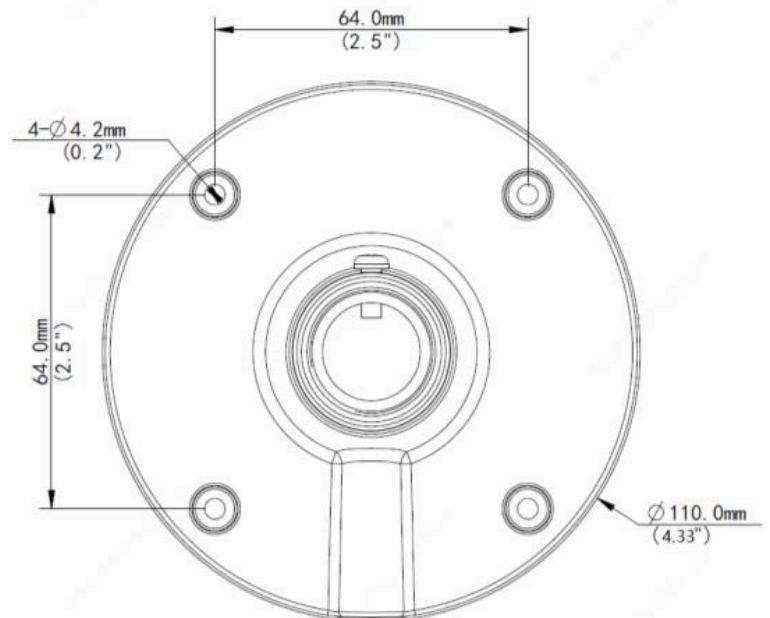




IVM-PM2
Pendant Mount

Bracket	IVM-PM2
Application	Wall installation
Dimensions (L × W × H)	Ø110 × 223.5mm (Ø4.33" × 8.80")
Weight	0.25kg (0.55lb)
Material	Aluminum alloy



Ordering Information

IVM-PM2: Indoor Pendant Mount