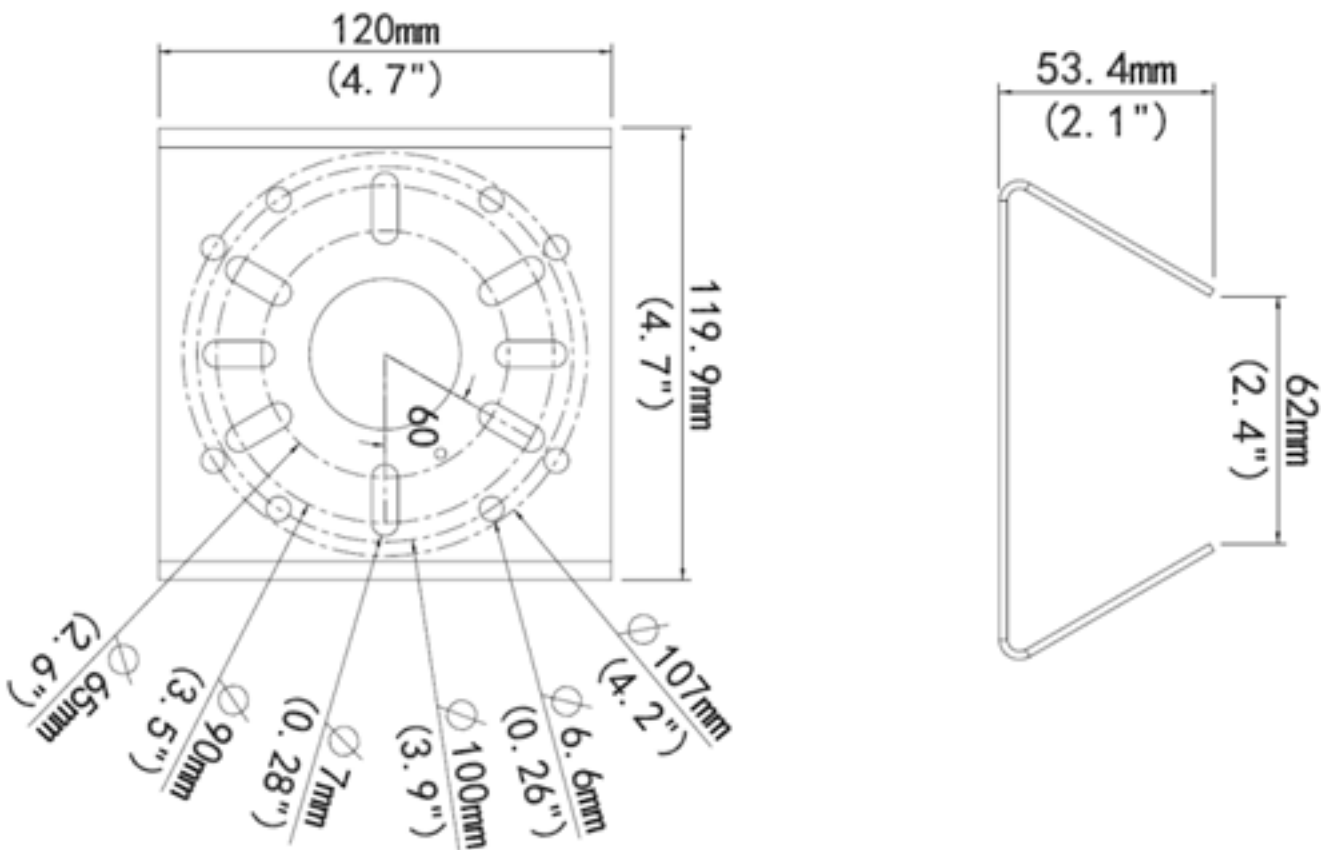


IVM-POLE1
Pole Mount

Bracket	IVM-POLE1
Application	Outdoor, pole or rail installation; 2.6" ~ 5" diameter poles
Dimensions(L × W × H)	4.7"x4.7"x2.1" (120mmx120mmx53.4mm)
Weight	0.99lb (0.45kg)
Material	Galvanized sheet metal



Ordering Information
IVM-POLE1: Pole Mount