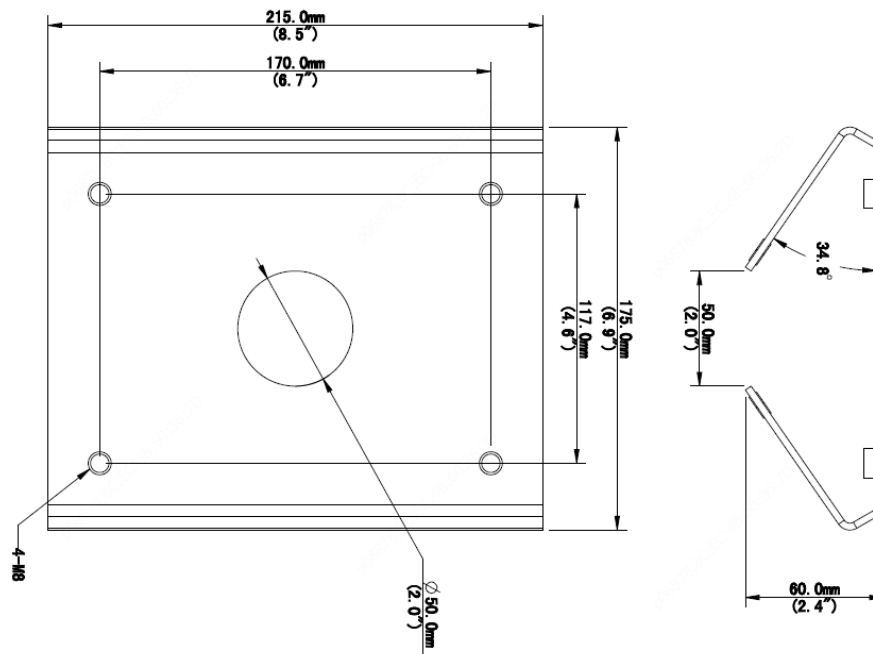




**IVM-PTZPOLE**  
Pole Mount for Vision Series PTZ, White

Bracket	IVM-PTZPOLE
Application	Indoor or outdoor, pole installation for PTZ dome camera
Dimensions(L × W × H)	8.5" x 6.9"x 2.4" (215mmx175mmx60.0mm)
Embrace hoop diameter	2.6"~5" (67mm~127mm)
Weight	3.2lb (1.47kg)
Material	Steel



Ordering Information  
**IVM-PTZPOLE:** Pole Mount