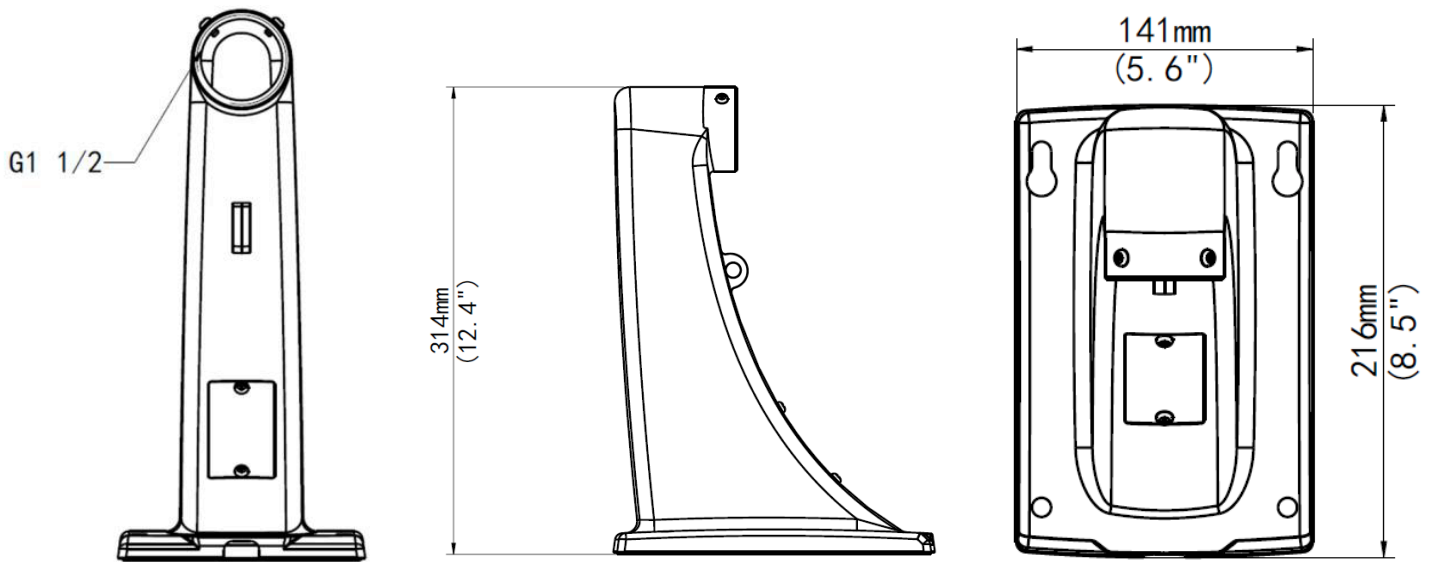




IVM-PTZWALL2

Long Wall Mount for Vision Series PTZ, White

Bracket	IVM-PTZWALL2
Application	Indoor or outdoor, wall installation for PTZ dome camera
Dimensions (L x W x H)	8.5" x 5.6" x 12.4" (216mmx141mmx314mm)
Weight	2.2lb (1.0kg)
Material	Aluminum alloy



Ordering Information

IVM-PTZWALL2: Long Wall Mount