



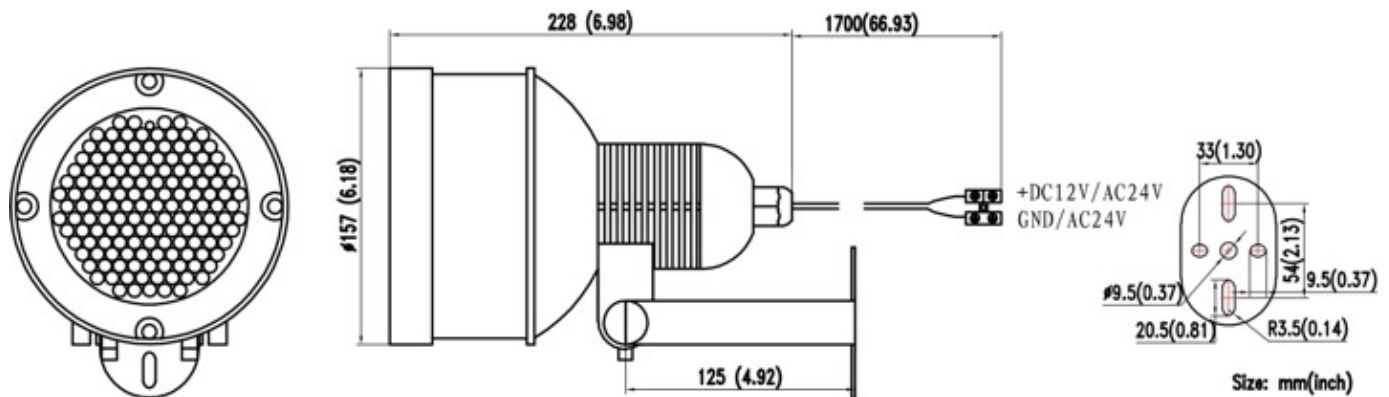
Product	INVID-IRILLUM262
IP Rating	IP66
Type	Outdoor
Luminaire	850nm High Power LED
Angle	60° (Outdoor)
Emissive Power	18W
Outdoor Distance	262 ft (80m) (Outdoor)
Control	CDS/10Lux
Power supply	DC12V±10%/AC24V±10%
Current Consumption	DC1400mA/ AC1250mA(Max)
Dimension	ø 6.18" x 8.97" (ø157 x 228mm)
Weight	5.1 lb (2330g)
Storage Temperature	-22°F~-140°F (-30°C~-60°C)
Operating Temperature	-22°F~-104°F (-30°C~-40°C)

## INVID-IRILLUM262

Infrared LED Illuminator

### Features

- Fashion metal cylinder case, IP66
- Build-in 147 PCs High Power IR LED
- Auto switch on while under 10Lux by CDS
- IR effective degree: 60° (Outdoor)
- IR effective distance: 262 ft (80m) (Outdoor)
- Dual Power: DC12V/AC24V
- Indoor and outdoor use, IP66 waterproof



**Ordering Information**  
**INVID-IRILLUM262:** Infrared LED Illuminator