

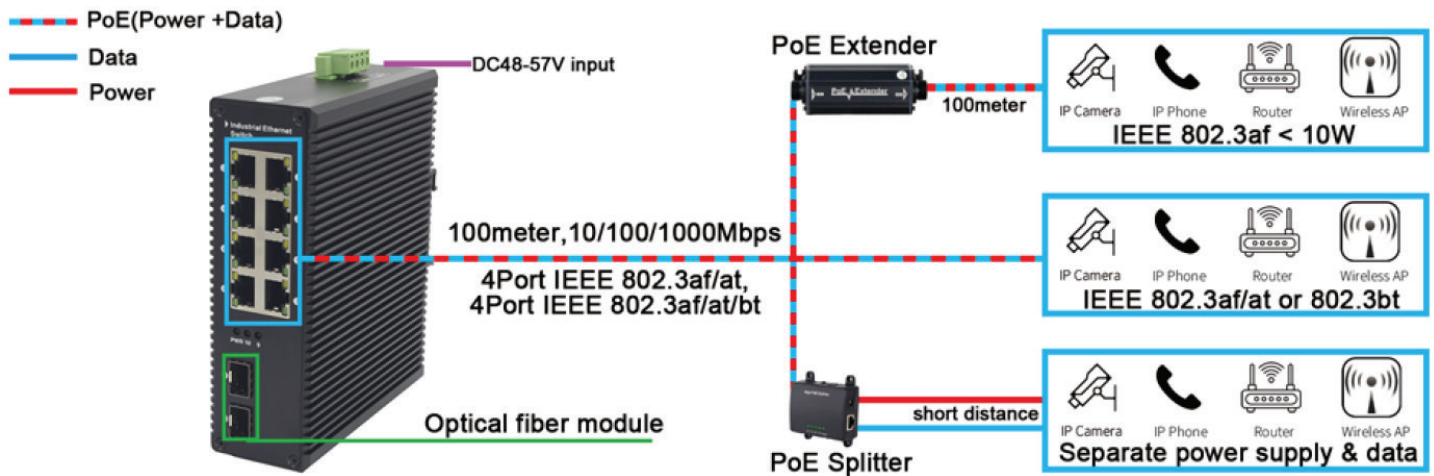


### INVID-POE3610-8BT 8-Port PoE Switch

#### Features

- Complies with IEEE 802.3, IEEE 802.3u, IEEE 802.3ab
- 8-Port 10/100/1000Mbps supports PoE Powered and 2 1Gbps SFP interfaces
- Complies with IEEE 802.3af/802.3at Power over Ethernet End-Span PSE, 1~4 PoE ports support IEEE 802.3bt
- Circuit protection prevents power interference between ports
- Hardware based 10/100/1000Mbps auto-negotiation and auto MDI/MDI-X
- Features Store-and-Forward mode with wire-speed filtering and forwarding rates
- Integrates address look-up engine, supporting 8K absolute MAC addresses

Model	
Power	
Power Supply	Built-in power supply
Voltage Range	DC 48-56V
Consumption	Non PoE <10W
Ethernet	
Speed	1~8 Port: 10/100/1000Mbps 9~10: 1000Mbps SFP port
Transmission Distance	100Meter(328ft) for RJ-45 SFP module is optional, transmission distance depends of optical module
Network Switch	
Ethernet Standard	IEEE 802.3 / 802.3i / 802.3u / 802.3ab / 802.3z / 802.3af / 802.3at / 802.3bt
Switching capacity	20Gbps
Transfer Rate	14880pps for 10Mbps 148800pps for 100Mbps 1488000pps for 1000Mbps
MAC Address	4K MAC address table
LINK/ACT Indicator	
Light on	The port is connected
Light blinks	The port is receiving or transmitting data
Light off	The port is not linked successfully with the device
PoE Indicator	
Light on	PD is connected
Light off	No PD is connected or power forwarding fails
PoE pin assignment	1~4 port: 1,2,3,4,5,6,7,8 5~8 port: 1,2,3,6
Environment	
Working Temperature	-40°F ~ 167°F (-40°C ~ 75°C)
Storage Temperature	-40°F ~ 185°F (-40°C ~ 85°C)
Humidity Non condensing	0~90%
Mechanical	
Dimension	6 x 5 x 1.9 in (152x127x48mm)
Color	Grey



#### Ordering Information

**INVID-POE3610-8BT:** 8-Port PoE Switch