



INVID-AIR-R Pro RFID reader is designed to work with any access-control system controller via Wiegand and RS-485 interfaces with the support of Open Supervised Device Protocol (OSDP).

The reader is compatible with RFID-identifiers at a frequency of 125 kHz with support for EM-Marlin format and 13.56 MHz with support for MIFARE formats and its derivatives. It also supports Bluetooth mobile data authentication, allowing interaction when the user approaches the reader.

The reader is ready to work immediately after installation and connection. The built-in web interface allows you to change settings and update the firmware when connecting the device to the Internet.

The reader's laser optical sensor allows you to interact with the device to initialize when adding a Bluetooth ID or to confirm an individual's intent to enter a doorway or gate and authenticate him or her.

And the advanced functionality of the OSDP protocol allows you to connect an additional reader to the device via Wiegand interface, as well as the exit button, door position sensor, and electric lock.

\* Additional wires are required to connect the door.

## INVID-AIR-R

Reader Multi Frequency Rfid With Bt And Mobile Capable

### Features

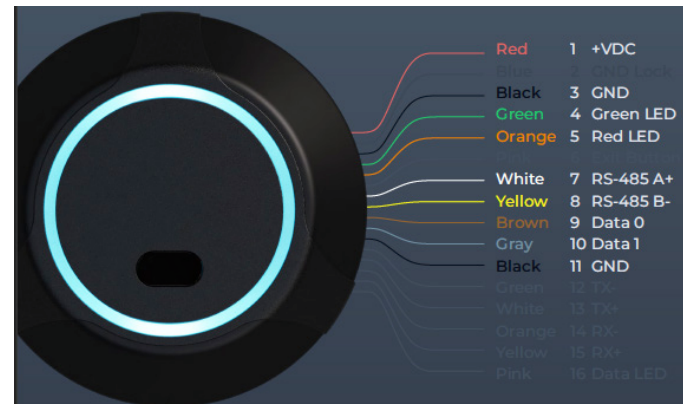
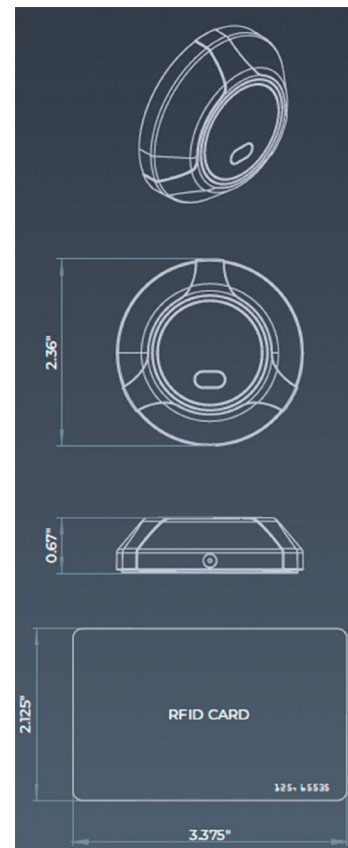
- Resilient MQTT Protocol
- Wiegand and OSDP Supports
- Bluetooth Credentials
- Web Base interface
- Multi-Reader 125Khz/13.56Mhz/2.4Ghz
- RFID Copy Protection

Device Specifications	
Processor	ESP32-S3
Over-the-air (OTA) update	Yes
Built-in web server	Yes
Support for 125 kHz identifiers	EM-Marlin
Support for 13.56 MHz identifiers	MIFARE DESFire; MIFARE Plus; MIFARE Ultra Light; MIFARE Classic mini/1K/4K; MIFARE Classic EV1 1K/4K; NFC Tag
Support for copy protection for MIFARE Classic mini/1K/4K identifiers	Yes
Communications	
Wi-Fi***	802.11 b/g/n 2.4 GHz
Bluetooth	Bluetooth® 5 (LE)
Wired interfaces	Wiegand / OSDP via RS-485
Physical connections	
Inputs*	2
Outputs (open collector) 0.5 A*	1
Electrical characteristics	
Input voltage	12-24 VDC +/- 10 %
Operation current (MAX) 12 VDC	0.5 A (6 W)
Operation current (AVG) 12 VDC	0.13 A (1.56 W)
Switchable output current (MAX) 12 VDC	0.5 A (6 W)
Output short-circuit protection	Yes
Power supply reverse polarity protection	Yes
Work distance	
RS-485**	3280 ft (1000 m)
Wiegand	328 ft (100 m)
Wi-Fi 2.4 GHz (open space)***	4-8 ft
Bluetooth (open space)	33 ft (10 m)
Environmental requirements	
Operating temperature	-22°F ~ 158°F (-30°C ~ 70°C)
Ingress Protection rating	IP65
Physical characteristics	
Housing material	ABS plastic UL94 V-0
Mounting method	Wall mount
Dimensions (diameter, height)	2.36" x 0.67" (60 x 17 mm) (mounting ring) 2.36" x 0.86" (60 x 22 mm)
Weight	1.59 oz (45 g)

\* When using OSDP.

\*\* See general specifications for RS485 interface.

\*\*\*Wi-Fi - is not recommended for any long range communication, short range only (4-8 feet). 2.4Ghz Wi-Fi only. Wi-Fi is recommended for configuration, troubleshooting and updates.



### Ordering Information

**INVID-AIR-R: Access Control Device**

*InVid Tech, reserves the right to make changes to improve our products at any time without notice; we are not responsible for misprints.*