

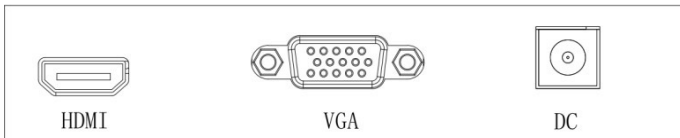
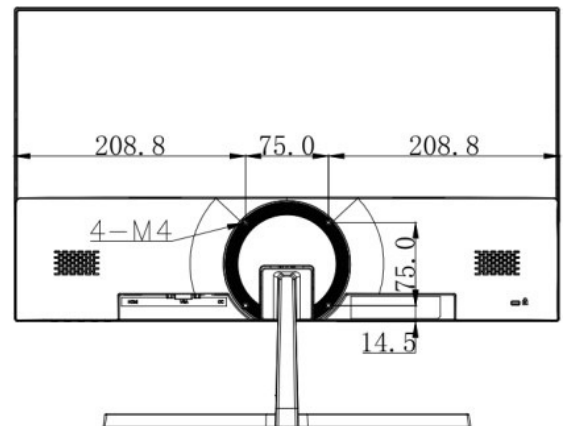
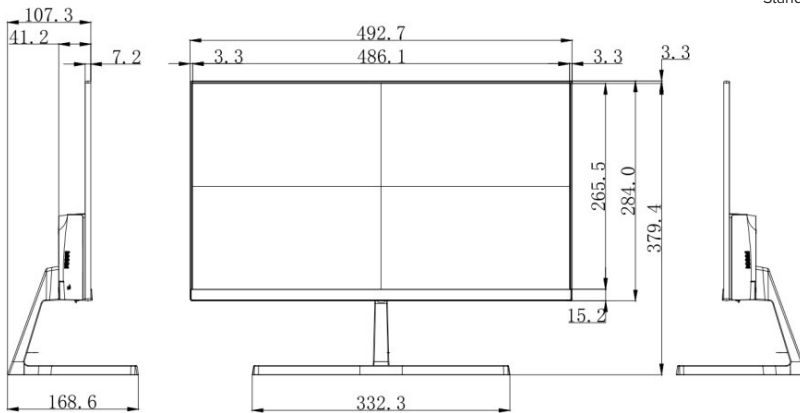
### IMHD-22ITA

22" Full HD 1920 x 1080 LED Monitor, Inputs: HDMI, VGA, Built-in Speaker, Includes 12VDC Power Supply Brick

#### Features

- Suitable for All Video Surveillance and Security Applications
- Commercial Grade Designed for 24/7 Operation
- Full High Definition Quality: 1920 x1080
- Inputs: HDMI, VGA
- Built-in Speaker
- Bright LED Illuminated Panel with Wide Viewing Angle
- 16.7 Million Color Capacity
- VESA Mount 75x75
- Includes 12VDC Power Supply Brick

Model	IMHD-22ITA
Backlight	LED
Panel Size	22"
Pixel Pitch (H x V) (mm)	0.24 x 0.24
Resolution	1920 x 1080
Display Size (mm)	486.1 x 265.5
Color Support	16.7 M
Brightness (cd/m <sup>2</sup> )	250
Contrast Ratio	3000:1
Refresh Rate	100 Hz
Response Time (ms)	5
Viewing Angle (H/V)	Horizontal 178°, Vertical 178°
Operation Hour	18/7
<b>Interface</b>	
Video Input	1 x HDMI(1920 x 1080@100 HZ), 1 x VGA(1920 x 1080@60 HZ)
<b>VESA</b>	
VESA (mm)	75 x 75
Wall-mounted Thread	4-M4 Threaded Hole, 8mm Deep Thread
<b>OSD</b>	
Multi-Language	Chinese, English, German, French, Italian, Spanish, Portuguese, Turkish, Polish, Dutch, Japanese, Korean
<b>General</b>	
Power supply	DC 12V, 2A
Typical Power Consumption (W)	≤22
Standby Power Consumption (W)	≤0.5
Product Dimensions (W x H x D)	19.4 x 11.2 x 1.6 in (492.7 x 284.0 x 41.2mm)
Package Dimensions (W x H x D)	23.5 x 14.4 x 3.9 in (598 x 366 x 99mm)
Weight	Net Weight: 4.8 lbs (2.18kg) Gross Weight: 6.9 lbs (3.12kg)
Operating Temperature	32°F ~ 104°F (0°C ~ 40 °C)
Operating Humidity	10% ~ 85% (No Condensation)
Storage Temperature	-4°F ~ 140°F (-20°C ~ 60°C)
Storage Humidity	5% ~ 90% (No Condensation)
Standard	1 x HDMI Cable, 1 x Quick Guide, 1 x Pedestal, 1 x Adapter



#### Ordering Information

**IMHD-22ITA:** 22" Monitor