

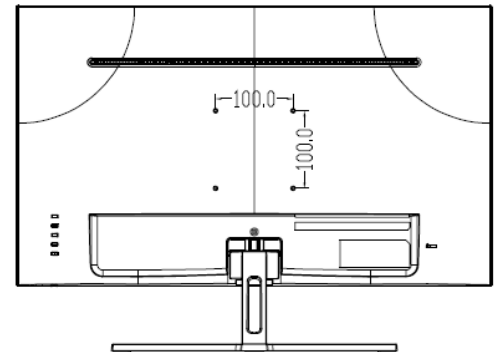
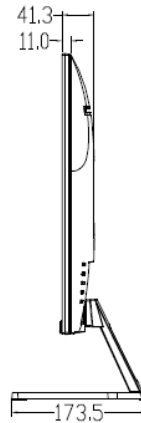
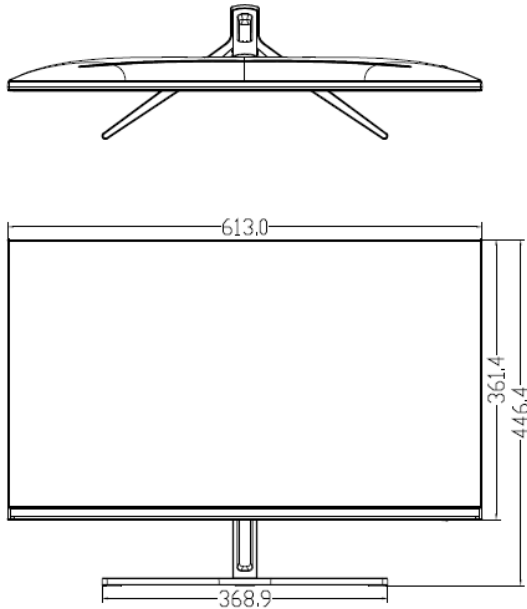


**IMHD-27IT**  
 27" Full HD 1920 x 1080 LED Monitor Inputs: HDMI, VGA,  
 Includes 12VDC Power Supply Brick

**Features**

- Suitable for All Video Surveillance and Security Applications
- Commercial Grade Designed for 24/7 Operation
- Full High Definition Quality: 1920 x1080
- Inputs: HDMI, VGA
- Bright LED Illuminated Panel with Wide Viewing Angle
- 16.7 Million Color Capacity
- VESA Mount 100x100
- Includes 12VDC Power Supply Brick

Model	IMHD-27IT
Display	
Display Type	LED Backlight
Screen Size	27"
Pixel Pitch(mm)	0.31*0.31
Max Resolution	1920*1080
Brightness(cd/m2)	250
Contrast	4000:1
Response Time(ms)	19
color	16.7M
Viewing Angle	Horizontal 178°, Vertical 178°
Interface	
Input	1* HDMI, 1*VGA
OSD	
Multi- Language	16 (English, French, Spanish, Portuguese, German, Italian, Dutch, Swedish, Finnish, Polish, Czech, Russian, Korean, Chinese Simplified, Chinese Traditional, Japanese)
Mounting	
VESA(mm)	100*100
Wall-mounted Thread	4-M4 Threaded hole
General	
Power supply	DC 12V, 3A
Consumption(W)	≤36 (on) ≤0.5(Standby)
Operation Temperature	32°F ~ 104°F (0°C ~ 40 °C)
Operating Humidity	20%~85% (No Condensation)
Storage Temperature	14°F ~ 122°F (-10°C ~ 50°C)
Storage Humidity	10%~90% (No Condensation)
Dimension (W*H*D)	24.1 x 17.6 x 6.8 in (613*446.40*173.50mm) (With Pedestal)
Package(W*H*D)	26.4 x 17.2 x 4.7 in (671*437*119mm)
Weight	Net Weight: 7.5 lbs(3.4Kg) Gross Weight: 10.4 lbs(4.7Kg)
Accessory	
Standard	HDMI cable, Adapter, Pedestal, Quick Guide



**Ordering Information**  
**IMHD-27IT: 27" Monitor**