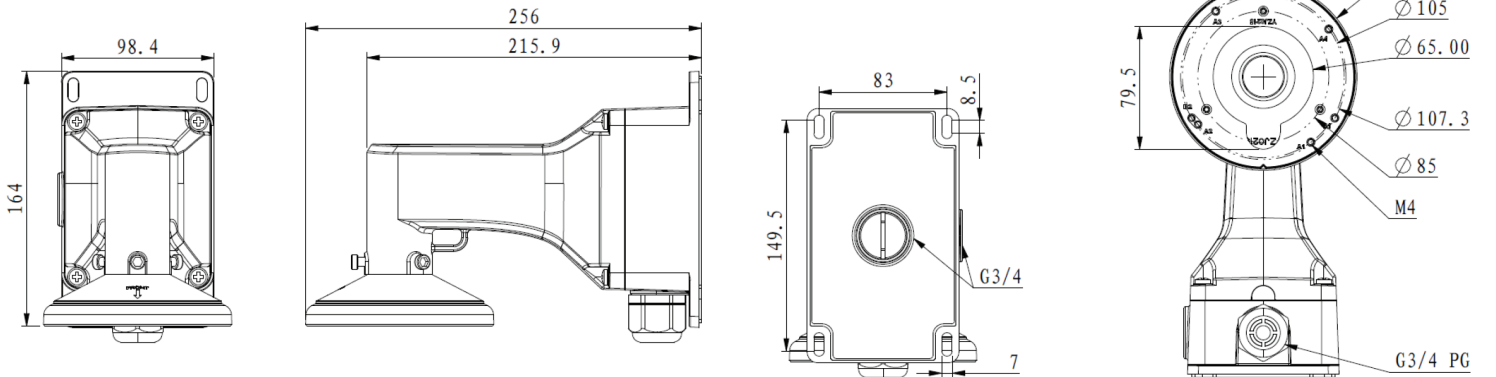




IPM-DRWM7
Wall Mount

Model	IPM-DRWM7
Material	ADC12 Aluminum alloy
Color	White
Packing Size	22.2 x 18 x 15.4 in (564x458x390mm)
Dimension	10.04 x 6.5 x 4.8 in (255x164x121.5mm)
Net Weight	2.4lbs (1070g)
Load Bearing	The wall must be strong enough to withstand at least 3 times the weight of the camera and the bracket.
Working Temperature	-40°F ~ 140°F (-40°C ~ 60°C)
Working Humidity	10% ~ 90%



Ordering Information
IPM-DRWM7: Wall Mount