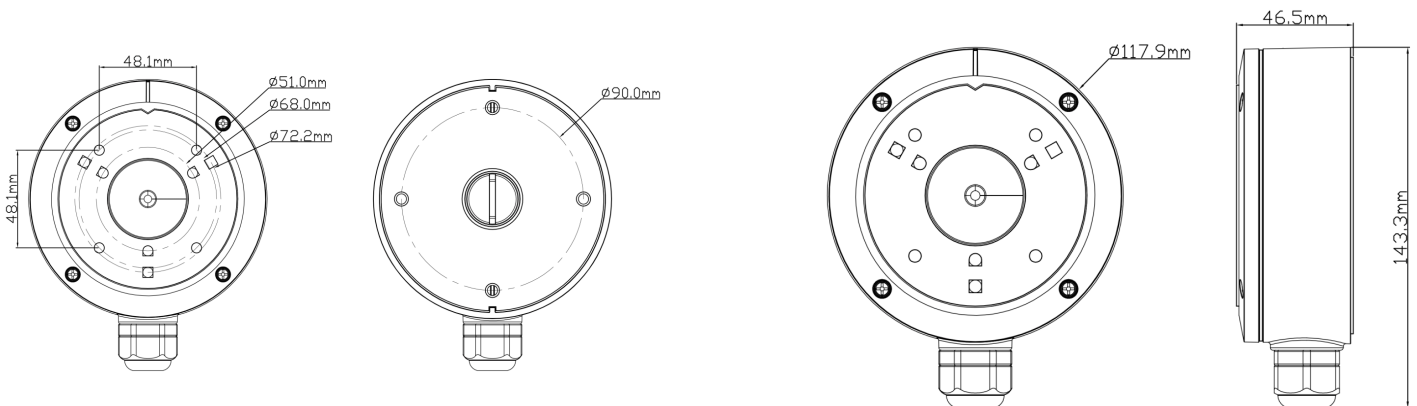




IPM-JB6B
Black Junction Box

Model	IPM-JB6B
Material	Aluminum alloy
Color	Black
Protection Grade	IP66
Packing Size	12.8 x 12.4 x 10.4 in (325x315x265mm)
Dimension	4.6 x 1.9 in (117.9 x 47mm)
Load Bearing	The wall must be strong enough to withstand at least 3 times the weight of the camera and the junction box
Net Weight	.8 lb (380g)
Working Temperature	-40°F ~ 140°F (-40°C ~ 60°C)
Working Humidity	10%~90%



Ordering Information
IPM-JB6B: Junction Box, Black