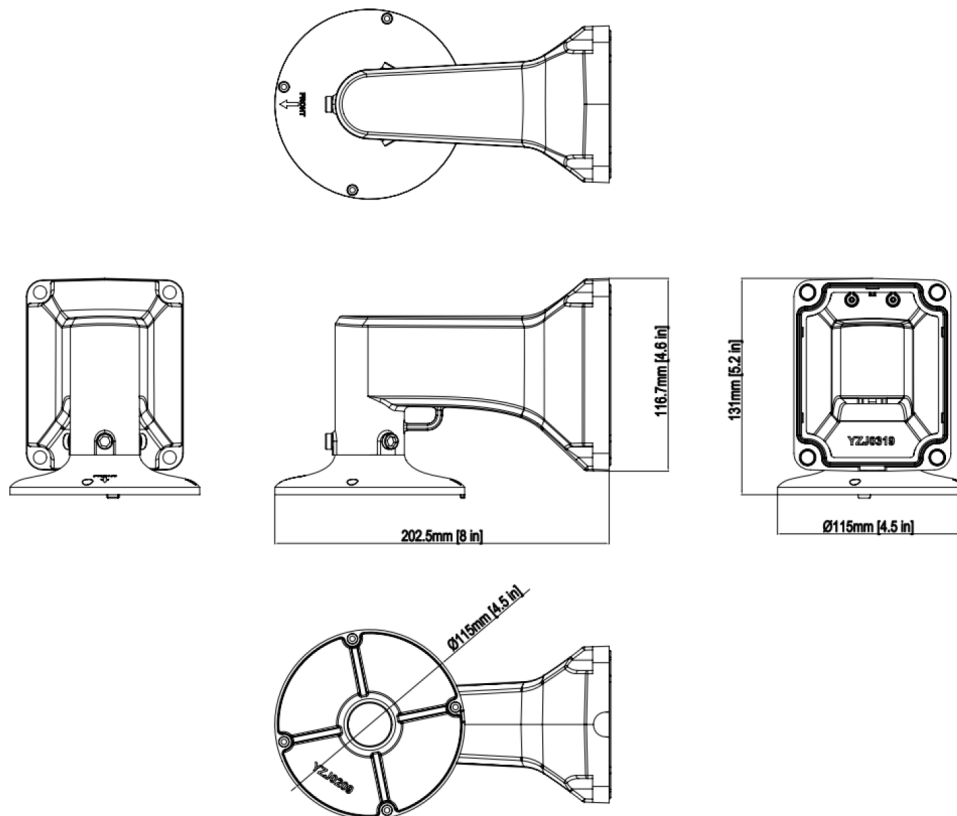




IPM-MIPTZWALL
Mini PTZ Wall Mount

Model	IPM-MIPTZWALL
Material	ADC12 Aluminum alloy
Color	White
Dimension	8 x 5.2 x 4.5 in (202.5x131x115mm)
Net Weight	.89lbs (402g)
Load Bearing	The wall must be strong enough to withstand at least 3 times the weight of the camera and the bracket.
Working Temperature	-40°F ~ 140°F (-40°C ~ 60°C)
Working Humidity	10% ~ 90%



Ordering Information
IPM-MIPTZWALL: Mini PTZ Wall Mount