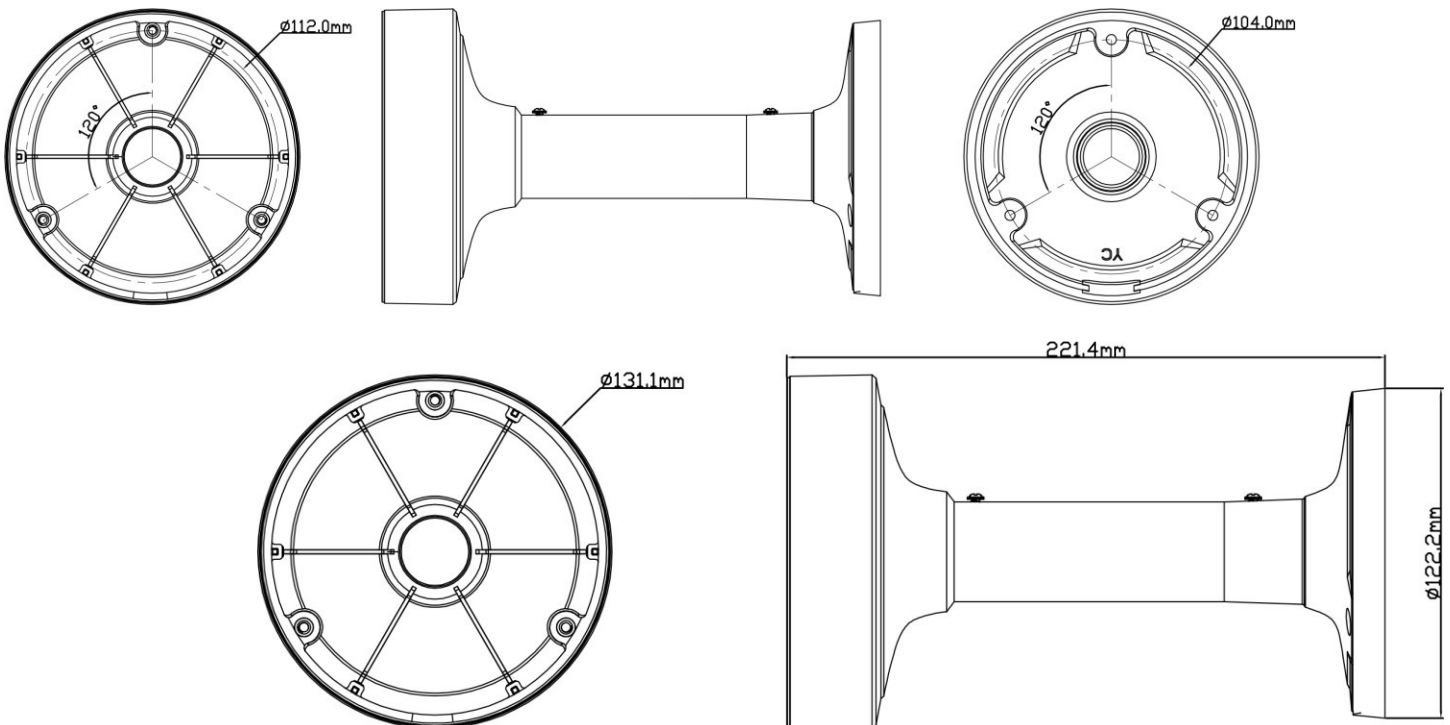




IPM-PANPEN
Fisheye Pendant Pipe

Model	IPM-PANPEN
Material	Aluminum alloy
Color	White
Dimension	8.7 x 5.2 in (221x131mm)
Net Weight	1.2 lbs (550 g)
Load Bearing	The wall must be strong enough to withstand at least 3 times the weight of the camera and the bracket.
Working Temperature	-40°F ~ 140°F (-40°C ~ +60°C)
Working Humidity	10% ~ 90%



Ordering Information
IPM-PANPEN: Pendant Pipe