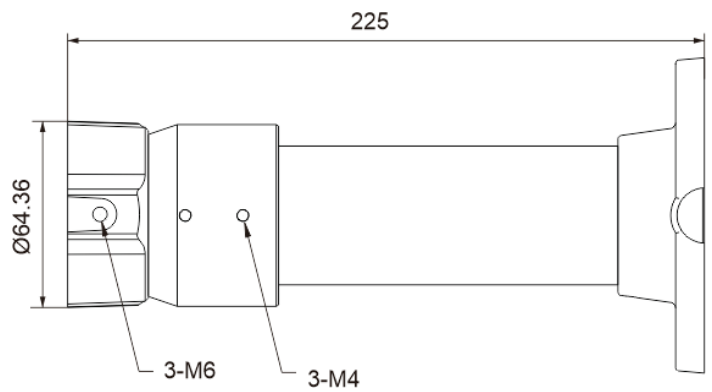
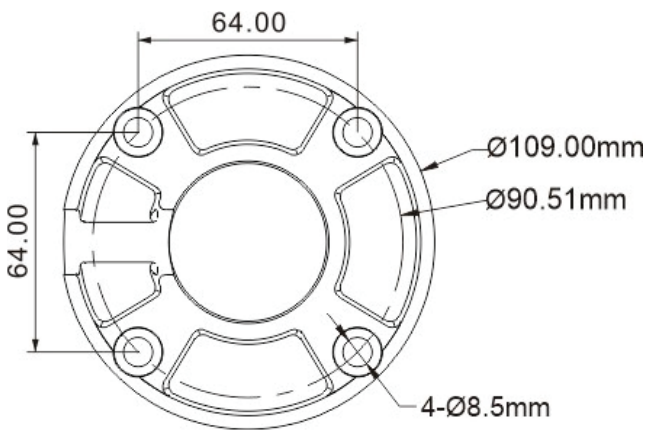




**IPM-PTZPEN10**  
Ceiling Mount for PTZ

Model	IPM-PTZPEN10
Material	Aluminum alloy
Color	White
Dimension	4.3 x 8.9 in (Ø109 x 225mm)
Net Weight	.97 lbs (440 g)
Load Bearing	The wall must be strong enough to withstand at least 3 times the weight of the camera and the bracket.
Working Temperature	-40°F ~ 140°F (-40°C ~ +60°C)
Working Humidity	10% ~ 90%



Ordering Information  
**IPM-PTZPEN10: Ceiling Mount for PTZ**