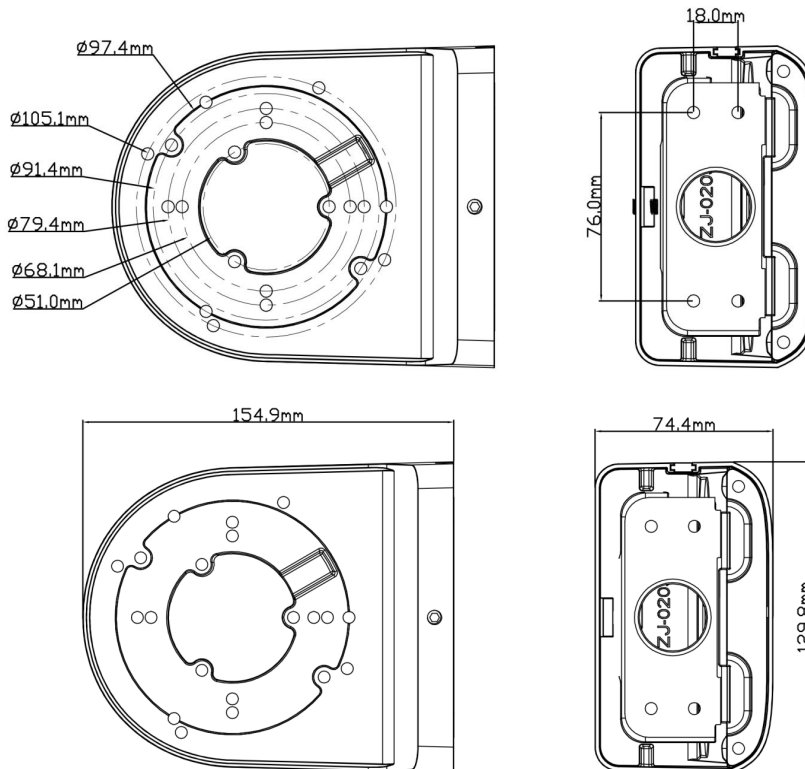




IPM-TXWM1B

Wall Mount for Paramount Series Cameras, Black

Model	IPM-TXWM1B
Material	Aluminum alloy
Color	Black
Packing Size	17.7 x 11 x 13.4 in (450x280x340mm)
Dimension	5.1 x 6.1 x 3 in (129.8x154.9x74.4mm)
Net Weight	1.2 lb (527g)
Load Bearing	The wall must be strong enough to withstand at least 3 times the weight of the camera and the bracket
Working Temperature	-40°F ~ 140°F (-40°C ~ 60°C)
Working Humidity	10% ~ 90%



Ordering Information

IPM-TXWM1B: Wall Mount