

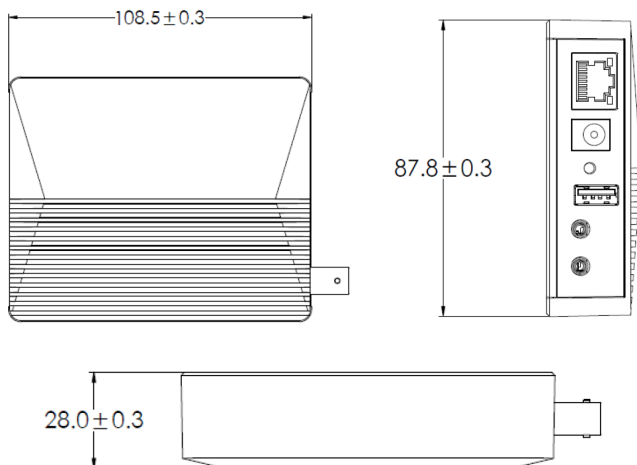


## PAR-ENCODER2

Single Channel Encoder with Video loop Out, SD Card Slot, 12VDC/PoE

### Features

- True AI Human and Vehicle Classification for Line Crossing and Intrusion Detection
- Single Channel encoder
- Supports up to 5MP CVBS Signals
- H.265+/H.265/H.264+/H.264/MJPEG Compression
- Up the Cable (UTC) Control
- SD Card Local Storage, 256GB
- Audio Input/Output
- 12VDC/PoE Operation
- 12VDC Power Output, up to .5A/6W
- ONVIF
- 8ch Alarm In/ 4ch Alarm Out
- Supports Native Chrome/EDGE Use
- Free iOS & Android Apps for Smart Phones & Tablets
- Free Central Management Software (CMS) to manage multiple units & sites from a single platform
- Free MAC client software available to manage your system from your Apple computer



Model	
Video	
Analog Video Input	BNC×1 BNC interface (1.0Vp-p; 75Ω) TVI/AHD/CVI : 5MP@20fps; 4MP/1080P/720P @30fps CVBS video signal input supported
Video Compression	H.265+/H.265/ H.264+ / H.264 / MJPEG
H.264 Compression Standard	Baseline Profile/Main Profile/High Profile
Bit rate Type	VBR/CBR
Bit Rate	64Kbps ~ 8Mbps
Resolution	5MP (2592×1944), 4MP (2560×1440), 1080P (1920 ×1080), 720P (1280 ×720), D1, CIF, 480 ×240
Main Stream	5MP(1~20fps)/4MP/1080P/720P/D1 (60Hz:1~30fps; 50Hz:1~25fps)
Sub Stream	720P/D1/CIF (60Hz:1~30fps; 50Hz:1~25fps)
Third Stream	D1/CIF/480×240 (60Hz:1~30fps; 50Hz:1~25fps)
Audio	
Audio Input	1CH 3.5mm audio input
Two-way Audio	Take up the above audio input
Audio Output	1CH 3.5mm audio output
Audio Compression	G711A/U
Image	
Image Setting	Saturation, hue, brightness, contrast, wide dynamic range, sharpness, defog, NR, image mirror, image flip, etc., adjustable through client or web browser
ROI	8 ROI, each region can be set up separately
Interfaces	
Network	100M RJ45
Audio	1CH 3.5mm audio input; 1CH 3.5mm audio output
Video	1CH BNC video input
Storage	1 micro SD card slot, up to 256G
Alarm	8CH alarm input; 4CH alarm output
Function	
Remote Monitoring	Web browser/InVid CMS/NVR/mobile APP
Online Connection	Supports simultaneous monitoring for up to 8 users Supports multi-stream real time transmission
Network Protocol	UDP, IPv4, IPv6, DHCP, NTP, RTSP, RTMP, PPPoE, DDNS, SMTP, FTP, SNMP, 802.1x, UPnP, HTTPS, HTTP POST, Qos
Interface Protocol	ONVIF Profile T
Storage	Network remote storage; micro SD card storage
Smart Alarm	SD card full, SD card error, IP address conflict, cable disconnection, sensor alarm, motion alarm
Intelligent Analytics	Video exception detection: video blur detection, abnormal color detection, scene change detection Perimeter protection: line crossing/region entrance/ region exiting/ region intrusion detection (human/motor vehicle/non-motor vehicle classification) Statistics: target counting by line/area (human/motor vehicle/non-motor vehicle classification) Face detection: face detection, face capture Other events: abandoned/missing object detection, heat map
General Function	Watermark, IP address filtering, video mask, heartbeat, illegal login, corridor pattern
PoE	Yes, IEEE802.3af
Water-proof Grade	No
Others	
Power Input	DC12V/PoE
Power Output	Yes, max. 12V@0.5A
Power Consumption	< 5.5W
Environmental Protection	RoHS 2.0, REACH, WEEE, directive94/62/EC
Working Environment	-22°F ~ 140°F (-30°C ~ 60°C) , Humidity: less than 95% (non-condensing)
Storage Environment	-22°F ~ 149°F (-30°C ~ 65°C) , Humidity: less than 95% (non-condensing)
Dimensions	Server: 4.3 x 3.5 x 1.1 in (108.5 x 87.8 x 28.0mm)
Weight (net)	Approx. .6 lbs (271.4g)
Installation	Wall mounting

Ordering Information

**PAR-ENCODER2:** Encoder