



PAR-P4PTZXIR25NH-AI2

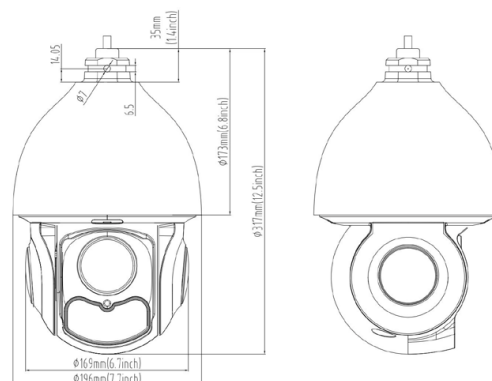
4 Megapixel IP Plug & Play, Outdoor PTZ, 25x Optical Zoom, up to 393' IR Range, True WDR, SD Card Slot, 24VDC/24VAC/PoE++

Features

- 4 Megapixel Resolution
- True AI Human and Vehicle Classification for Line Crossing and Intrusion Detection
- Supports Smart tracking Based off AI Event
- True Day/Night with IR Range up to 393'
- H.265,H.265+,H.264,H.264+ Compression
- 30 FPS Recording and Live
- True WDR
- Micro SD Slot: Up to 256GB
- Audio Input/Audio Output
- IP66 Weather Resistant
- 24VDC/24VAC/PoE++ Operation
- ONVIF
- Free iOS & Android Apps for Smart Phones & Tablets
- Free Central Management Software (CMS)
- Free MAC Client
- NDAA Compliant

Camera Module	
Image sensor	1/2.7" progressive scan CMOS, BSI, NIR+
Mini. Illumination	Color 0.01Lux @ (F1.65 AGC ON) B/W 0.002Lux @ (F1.65 AGC ON); 0Lux with IR
Image setting	Flip, Mirror, Saturation, Brightness, Contrast, Sharpness, AGC, etc. adjusted by client
Shutter Speed	50Hz: 1/25s ~ 1/25,000s; 60Hz: 1/30s ~ 1/30,000s
White Balance	Auto/Manual/Indoor/Outdoor
Gain control	Auto/Manual
Day & Night control	Auto/Manual ,time schedule
Iris control	Auto/Manual
SNR	≥52dB
3D DNR	Auto/Manual
AE Enhancement	BLC, HLC, WDR
Privacy Mask	4 areas, up to 8 per request
Picture overlay	Logo picture could be overlaid on video with 128x128pixels,24bits BMP format
OSD overlay	Max 15 characters/line, 8 lines, white or red font color
Lens	
Focus length	f=4.8-120mm lens,25x optical zoom
Zoom Speed	Approx. 3.6s (optical zoom, wide-tele)
Field of View	Horizontal: 55° ~ 2.4°±5%; Vertical: 33° ~ 1.4°±5%; Diagonal: 61.5° ~ 2.8°±5% (wide -tele)
Working distance	Wide: 1.0m ~ INF; tele: 1.5m ~ INF
Aperture Range	F1.65 ~ F3.8 (wide-tele)
Iris type	DC-IRIS, 16 Stops
IR Cut type	Removable IR Cut filter
DORI distance	Focus length Detect(25px/m) Observe(63px/m) Recognize(125px/m) Identify(250px/m)
	f=4.8mm 315ft (96m) 124.7ft (38m) 63ft (19.2m) 31.5ft (9.6m)
	f=120mm 7218ft (2200m) 2864.3ft (873m) 1443.6ft (440m) 721.8ft (220m)
PTZ	
Pan Range	360°endless
Pan speed	Configurable, from 0.1°/80°/s; Preset speed: 150°/s
Tilt Range	From -3°to 90°
Tilt Speed	Configurable, from 0.1° ~ 80°/s, Preset speed: 120°/s
Proportional Zoom	Yes
Preset	360
Cruise	8 cruises, up to 16 presets for each cruises
Trace	4 traces, record time over 3 minutes for each trace
Power off memory	Support
Action mode	Preset/Cruise/Trace/Auto Scan/Random Scan
3D Positioning	Support
PTZ Position Display	Support
Schedule Task	Preset/Cruise/Trace/Random Scan/Boundary Scanning /Dome reboot
IR	
IR Distance	393 ft (120m)
Smart IR	Yes
Network	
Max Resolution	2560 × 1440
Main stream	50Hz: 25fps: 2560×1440,1920×1080,1280×960,1280×720 ; 60Hz: 30fps: 2560×1440,1920×1080,1280×960,1280×720
Sub stream	50Hz: 25fps: (704 × 576, 640 × 480, 352 × 288); 60Hz: 30fps (704 × 480, 640 × 480, 352 × 240)
Third Stream	50Hz:25fps (1920 × 1080, 1280 × 960, 1280 × 720, 704 × 576, 640 × 480, 352 × 288) 60Hz:30fps (1920 × 1080, 1280 × 960, 1280 × 720, 704 × 480, 640 × 480, 352 × 240)
Video compression	H.265+/H.265/H.264+/H.264/MJPEG
H.264 Standard	H.264/AVC codec BP/MP/HP, Level 5.1
H.265 Standard	H.265/HEVC codec MP, level 5.0

Video Bit Rate	64Kbps to 8Mbps
Audio compression	G.711 A/U
Audio Bit Rate	64K bps
Protocols	HTTP, HTTPS, IPv4/IPv6, 802.1x, QoS, FTP, SMTP, UPnP, SNMP,DNS, DDNS, NTP, RTSP, RTP, TCP/IP, UDP, DHCP, PPPoE
Simultaneous live view	Up to 6 channels
User / Host	Up to 16 users, 3 levels: Administrator, Advanced User and Normal User
Security Measures	User authentication (ID and PW), Host authentication (MAC address); HTTPS encryption, IEEE802.1x port-based network access control; IP address filtering
Smart Features	
Basic event	Motion detection, Video tampering alarm, Exception (Network disconnected, IP address conflict, SD full, SD error)
Face recognize	Default off Detecting max 15 faces at same scene. Detecting, tracking, capturing
Road traffic	Vehicle detecting and tracking
Smart Detection	Tripwire, Bi-directional tripwire, Illegal intrusion detection, Region entrance detection, Region exiting detection, etc. More VCA per request (Based off Human & Vehicle Classification)
Smart Tracking	Smart tracking of human or vehicle, auto/manual
System Integration	
Alarm Interface	1 Alarm input; 1 Alarm output
Audio Interface	1 audio input(MIC in); 1 audio output, line level, impedance,600Ω
Alarm Linkage	Alarm actions, such as Preset, Cruise, Track, Memory Card Video Record, Trigger Recording, Notify Surveillance Center, Upload to FTP/Memory Card, Send Email, etc.
Network Interface	1 RJ45 10M/100M Adaptive Ethernet (Support PoE 802.3bt)
SD Card Slot	One MicroSD slot, up to 256G
RS 485	N/A
BNC	N/A
Speaker	N/A
Reset button	Yes
Heater	Yes
Fan	Yes
Water removal	Remove water-drops by quick spinning, blow hot air to glass to remove frost, ice
API	ONVIF, support TVT SDK and third-party management platform
Client	Paramont DVR/NVR, Paramont CMS, and the third-party client
Web Browser	IE8-11
General	
Languages	Czech; English; German; Hungarian; Italian; Japanese; Korean; Portuguese; Polish; Russian, Romanian, Spanish; Spanish(Mexico); Simplified Chinese; Turkish; Traditional Chinese.
Power Supply	DC24V, AC24V or PoE++ (802.3bt, class 6), (Max 34W, include IR, Heater, Fan working, max 12W for IR)
Working condition	-40°F ~ 140°F (-40°C ~ 60°C), Cold start at - 30°C(30minutes waiting); 90%RH
Storage condition	-40°F ~ 149°F (-40°C ~ 65°C) ; ≤ 95% RH
Protection	IP66, 6000V Lightning Protection, Surge Protection and Voltage Transient Protection
Material	Aluminum Alloy + Plastic
Dimensions	7.7 inch Φ × 12.5 inch (Φ 196mm × 317mm)
Weight	Approx. 8.31 lb (3.7 Kg)
Certification	IP66,ROHS,CE,FC



Ordering Information

PAR-P4PTZXIR25NH-AI2: 4 Megapixel IP Plug & Play, Outdoor PTZ