



PAR-P4PTZXIR40NH-AI

4 Megapixel IP Plug & Play, Outdoor PTZ, 40x Optical Zoom, up to 1148' IR Range, D-WDR, SD Card Slot, DC24V/PoE+

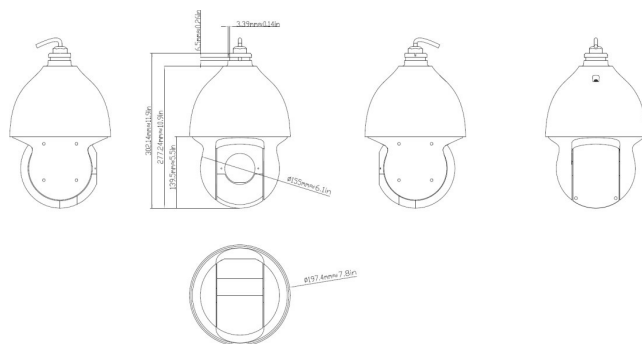
Features

- True AI Human and Vehicle Classification for Line Crossing and Intrusion Detection
- Supports Native Chrome/Edge Use
- 4 Megapixel Resolution
- Supports Smart tracking Based off AI Event
- True Day/Night with IR Range up to 1148'
- H.265+/H.265/H.264+/H.264/MJPEG
- 30 FPS Recording and Live
- D-WDR
- Micro SD Slot: Up to 256GB
- Audio Input/Audio Output
- IP66 Weather Resistant
- IK10 Vandal Resistant
- DC24V/PoE+ Operation
- ONVIF
- Free iOS & Android Apps for Smart Phones & Tablets
- Free Central Management Software (CMS) for PC/MAC
- NDAA Compliant

Camera Module	
Image sensor	1/2.8" progressive scan CMOS image sensor, with BSI and NIR++,Dual Gain
Max resolution	2560x1440
Mini. Illumination	Color 0.005 Lux @ (F1.2 AGC ON) B/W 0.001 Lux @ (F1.2 AGC ON); 0Lux with IR
Image setting	Flip, Mirror, Saturation, Brightness, Contrast, Sharpness, AGC, etc. adjusted by client
Shutter Speed	60Hz: 1/30s ~ 1/30,000s@30fps; 50Hz: 1/25s ~ 1/25,000s@25fps
White Balance	Auto/Manual/Indoor/Outdoor
Gain control	Auto/Manual
Day & Night control	Auto/Manual_time schedule.
Iris control	Auto/Manual
SNR	≥52dB
3D DNR	Auto/Manual
AE Enhancement	BLC, HLC, DWDR
Digital Zoom	16X
Electronical Stabilizer	N/A for this version
Privacy Mask	4 areas, up to 8 mask per request.
Picture overlay	Logo picture could be overlaid on video with 128x128pixels, 24bits format
OSD overlay	Max 15 characters/line, 8 lines, white or red font color
Lens	
Focus length	f=4.5-180mm lens, 40x optical zoom
Zoom Speed	Approx. 5.2s (optical zoom, wide-tele)
Field of View	H: 59.1° ~ 1.8°; V: 38.4° ~ 1.1°; D: 68.9° ~ 2.1° (wide-tele) ±5%
Image distance	Wide: 1.0m ~ INF; tele: 1.5m ~ INF
Aperture Range	Max F1.2
Iris Type	DC_IRIS
IR Cut type	Removable IR Cut filter
PTZ	
Pan Range	360°endless
Pan speed	Configurable, from 0.1°/390°/s; Preset speed: 420°/s
Tilt Range	From -25° to 155°, auto flip at 90°
Tilt Speed	Configurable, from 0.1°/270°/s; Preset speed: 300°/s
Proportional Zoom	Yes
Preset	360
Cruise	8 cruises, up to 16 presets for each cruises
Trace	4 traces, record time over 3 minutes for each trace
Power off memory	Support
Action mode	Preset/Cruise/Trace/Auto Scan/Random Scan
3D Positioning	Support
PTZ Position Display	Support
Schedule Task	Preset/Cruise/Trace/Random Scan/Boundary Scanning /Dome reboot/ De-frost/Water Removal
IR	
IR Distance	1148 ft (350m.), 850nm IR
Smart IR	Yes
Network	
Main stream	50Hz: 25fps: 2560x1440, 1920x1080, 1280x960, 1280x720; 60Hz: 30fps: 2560x1440, 1920x1080, 1280x960, 1280x720
Sub stream	50Hz: 25fps (704 x576, 640 x480, 352 x288); 60Hz: 30fps (704 x480, 640 x480, 352 x240)

Third Stream	50Hz: 25fps (1920 x1080, 1280 x960, 1280 x720, 704 x576, 640 x480, 352 x288) 60Hz: 30fps (1920 x1080, 1280 x960, 1280 x720, 704 x480, 640 x480, 352 x240)
Video compression	H.265+/H.265/H.264+/H.264/MJPEG
H.264 Standard	H.264/AVC codec BP/MP/HP, Level 5.1
H.265 Standard	H.265/HEVC codec MP, level 5.0
Video Bit Rate	64 Kbps to 16Mbps
Audio compression	G.711 A/U
Audio Bit Rate	64K bps
Protocols	HTTP, HTTPS, IPv4/IPv6, 802.1x, QoS, FTP, SMTP, UPnP, SNMP, DNS, DDNS, NTP, RTSP, RTCP, RTP, TCP/IP, UDP, DHCP, PPPoE
User / Host	Up to 16 users, 3 levels: Administrator, Advanced User and Normal User
Security Measures	User authentication (ID and PW), Host authentication (MAC address); HTTPS encryption, IEEE802.1x port-based network access control; IP address filtering
API	ONVIF Profile (G/Q/S/T)
Client	Paramont NVR, Paramont CMS 2.0, Paramont CMS Mobile App
Web Browser	IE8-11 with plug-in; Edge, Chrome, Firefox with plugin free
Smart Features	
Basic event	Motion detection, Video tampering alarm, Exception (Network disconnected, IP address conflict, SD full, SD error)
Face recognize	Face detection & capturing, Max 17faces per scene.
Smart Detection	Tripwire, Bi-directional tripwire, Illegal intrusion detection, Region entrance detection, Region exiting detection, etc. More VCA per request.
Smart Tracking	support smart tracking of human or vehicle, manual/auto
System Integration	
Alarm Interface	1 Alarm input (Dry contact); 1 Alarm output
Audio Interface	1 audio input, line level, 2.0-2.4Vpp, impedance 1KΩ; 1 audio output, line level, impedance, 600Ω
Alarm Linkage	Alarm actions, such as Preset, Cruise, Trace, Memory Card Video Record, Trigger Recording, Notify Surveillance Center, Upload to FTP/Memory Card, Send Email, etc.
Network Interface	1 RJ45 10M/100M Adaptive Ethernet
SD Card Slot	One MicroSD slot and chamber, up to 256GB
Built-in Speaker & Mic	N/A
RS485	N/A
BNC	N/A
Reset button	Yes
Electric Heater & Fan	Yes
Water removal	Remove water-drops by quick spinning (5.1.2 and later)
Frost and fog removal	Active electric heating and air loop
General	
languages	Czech; English; German; Hungarian; Italian; Japanese; Korean; Portuguese; Polish; Russian; Romanian; Spanish; Spanish(Mexico); Simplified Chinese; Turkish; Traditional Chinese, Etc.
Power supply	DC24V±25%, PoE+ (802.3at, type 2), max 23.5W include IR ON+PTZ working
Working condition	-40°F ~ 158°F (-40°C ~ 70°C), IR off; -40°F ~ 122°F (-40°C ~ 50°C), IR on; Cold start >= 30°C (0.5-1hour waiting); 90%RH
Storage condition	-40°F ~ 158°F (-40°C ~ 70°C); ≤ 95% RH
Protection	6000V Lightning Protection, Surge Protection and Voltage Transient Protection
Material	Aluminum Alloy (ADC12); Polymer (PC+GF15%)
Dimensions	Φ11.9inch x 7.75 inch (Φ 302mm x 197mm)
Net Weight	Approx. 6.61 lb (3.0 Kg)
Certification	IP66, IK10 (excluding glass window), ROHS, CE, FC, KC, BIS, UKCA
Rotation Life	At least 10 millions times

DORI Distance	Focus length	Detect	Observe	Recognize	Identify
	f=4.5mm	326.8 ft (99.6m)	129.7 ft (39.5m)	65.4 ft (19.9m)	32.7 ft (10m)
	f=180mm	8126.6 ft (3600m)	3250.7 ft (1429m)	1625.3 ft (720m)	812.7 ft (360m)



Ordering Information

PAR-P4PTZXIR40NH-AI: 4 Megapixel IP Plug & Play, Outdoor PTZ