



## PAR-P8PTZXIR25NH-AI

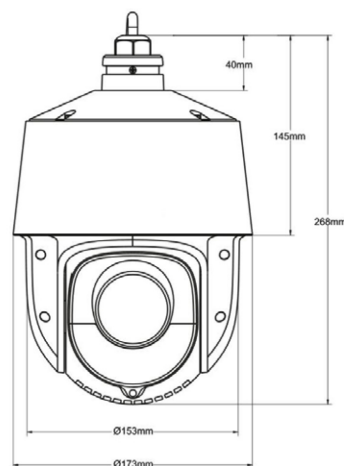
8 Megapixel IP Plug & Play, Outdoor PTZ, 25x Optical Zoom, up to 492' IR Range, True WDR, SD Card Slot, 12VDC/PoE+

### Features

- True AI Human and Vehicle Classification for Line Crossing and Intrusion Detection
- 8 Megapixel Resolution
- Supports Smart tracking Based off AI Event
- True Day/Night with IR Range up to 492'
- H.265,H.265+,H.264,H.264+ Compression
- 30 FPS Recording and Live
- True WDR
- Micro SD Slot: Up to 256GB
- Audio Input/Audio Output
- IP66 Weather Resistant
- 12VDC/PoE+ Operation
- ONVIF
- Free iOS & Android Apps for Smart Phones & Tablets
- Free Central Management Software (CMS) for PC/MAC

Camera Module	
Image sensor	1/2.8"SONY latest progressive scan CMOS
Mini. Illumination	Color: 0.01Lux @ (F1.65, AGC ON); B/W: 0.002Lux @ (F1.65, AGC ON); 0Lux with IR
Image setting	Flip, Mirror, Saturation, Brightness, Contrast, Sharpness, AGC, etc. adjusted by client
Shutter Speed	50Hz: 1/25 s~1/25,000s, 60Hz: 1/30s~1/30,000s
White Balance	Auto/Manual/Indoor/Outdoor
Gain control	Auto/Manual
Day & Night control	Auto/Manual, time schedule
Iris control	Auto/Manual
SNR	≥52dB
3D DNR	Auto/Manual
AE Enhancement	BLC, HLC, WDR
Privacy Mask	4 areas, up to 8 mask per request
Picture overlay	Logo picture could be overlaid on video with 128x128pixels,24bits BMP format
OSD overlay	max 15 characters/line, 8 lines, white or red font color
Lens	
Focus length	f=4.8-120mm lens,25x optical zoom
Zoom Speed	Approx. 3.6s (optical zoom, wide-tele)
Field of View	Horizontal: 57.6° ~ 2.4°; Vertical: 33.4° ~ 1.4°; Diagonal: 64.5° ~ 2.9° (wide-tele) ±5%
Working distance	wide: 1.0m ~ INF; tele: 1.5m ~ INF
Iris Range	F1.65 ~ F3.8 (wide-tele)
IR Cut type	Removable IRCUT filter
DORI Distance	Focus length Detect(25px/m) Observe(63px/m) Recognize(125px/m) Identify(250px/m) f=4.8mm 453.4ft (138.2m) 179.9ft (54.8m) 90.7ft (27.64m) 45.3ft (13.82m) f=120mm 10859.6ft(3310m) 4309.4ft (1313.5m) 2171.9ft (662m) 1086ft (331m)
PTZ	
Pan Range	360°endless
Pan speed	Configurable, from 0.1°/200°/s; Preset speed: 240°/s
Tilt Range	From -10° to 90°, auto flip
Tilt Speed	Configurable, from 0.1° 200°/s, Preset speed: 240°/s
Proportional Zoom	Yes
Preset	360
Cruise	8 cruises, up to 16 presets for each cruises
Trace	4 traces, record time over 3 minutes for each trace
Power off memory	Support
Action mode	Preset/Cruise/Trace/Auto Scan/Random Scan
3D Positioning	Support
PTZ Position Display	Support
Schedule Task	Preset/Cruise/Trace/Random Scan/Boundary Scanning /Dome reboot
IR	
IR Distance	492' (150m) ,dual stack IR LED array, 6pcs into 3groups
Smart IR	Yes
Network	
Max Resolution	3840x2160
Main stream	50Hz: 25fps: 3840 × 2160,2560 × 1440,1920 × 1080,1280 × 960,1280 × 720, 60Hz: 30fps:3840 × 2160,2560 × 1440,1920 × 1080,1280 × 960,1280 × 720
Sub stream	50Hz: 25fps: (704 × 576, 640 × 480, 352 × 288) ; 60Hz: 30fps (704 × 480, 640 × 480, 352 × 240)
Third Stream	50Hz:25fps (1920 × 1080, 1280 × 960, 1280 × 720, 704 × 576, 640 × 480, 352 × 288) 60Hz:30fps (1920 × 1080, 1280 × 960, 1280 × 720, 704 × 480, 640 × 480, 352 × 240)
Video compression	H.265+/H.265/H.264+/H.264/MJPEG
H.264 Standard	H.264/AVC codec BP/MP/HR, Level 5.1
H.265 Standard	H.265/HEVC codec MP, level 5.0

Video Bit Rate	64 Kbps to 16Mbps
Audio compression	G.711 A/U
Audio Bit Rate	64K bps
Protocols	HTTP, HTTPS, IPv4/IPv6, 802.1x, QoS, FTP, SMTP, UPnP, SNMP,DNS, DDNS, NTP, RTSP, RTCP, RTP, TCP/IP, UDP, DHCP, PPPoE
User / Host	Up to 16 users, 3 levels: Administrator, Advanced User and Normal User
Security Measures	User authentication (ID and PW), Host authentication (MAC address); HTTPS encryption, IEEE802.1x port-based network access control; IP address filtering
Smart Features	
Basic event	Motion detection, Video tampering alarm, Exception (Network disconnected, IP address conflict, SD full, SD error)
Face recognize	Default off: Detecting max 15 faces at same scene. Detecting, tracking, capturing
Road traffic	Vehicle detecting and tracking
Smart Detection	Tripwire, Bi-directional tripwire, Illegal intrusion detection, Region entrance detection, Region exiting detection, etc. More VCA per request. ( Based off Human and Vehicle Classification)
Smart Tracking	smart tracking of human or vehicle, auto/manual
System Integration	
Alarm Interface	1 Alarm input(Dry contact); 1 Alarm output
Audio Interface	1 audio input(MIC in); 1 audio output, line level, impedance,600Ω
Alarm Linkage	Alarm actions, such as Preset, Cruise, Track, Memory Card Video Record, Trigger Recording, Notify Surveillance Center, Upload to FTP/Memory Card, Send Email, etc.
Network Interface	1 RJ45 10M/100M Adaptive Ethernet ,Support PoE+
SD Card Slot	One Micro SD slot, up to 256G
RS 485	N/A
BNC	N/A
Speaker	N/A
Reset button	Yes
Heater	Yes
Fan	Yes
Water removal	Remove water-drops by quick spinning
API	ONVIF, support SDK and third-party management platform
Client	Paramont DVR/NVR, Paramont CMS; and the third-party client, free iOS/Android APP
Web Browser	IE8-11
General	
Languages	Czech; English, German ; Hungarian ; Italian ; Japanese ; Korean ; Portuguese, Polish; Russian, Romanian, Spanish; Spanish(Mexico); Simplified Chinese; Turkish; Traditional Chinese.
Power Supply	DC12V±25%,3000mA , PoE+ (802.3.at), max 24W include IR ON+PTZ working
Working condition	-40°F ~ 140°F (-40°C ~ 60°C), Cold start at - 30°C(0.5Hour waiting); 90%RH
Storage condition	-40°F ~ 158°F (-40°C ~ 70°C) ; ≤ 95% RH
Protection	IP66, 6000V Lightning Protection, Surge Protection and Voltage Transient Protection
Material	Aluminum Alloy + Polymer ( Plastic with glass fiber 15%)
Dimensions	Φ 6.8 × 10.55 in (Φ 173mm × 268mm)
Weight	Approx. 4.63 lb (2.1 Kg)
Certification	IP66,IK10(excluding glass window),ROHS,CE,FC



### Ordering Information

**PAR-P8PTZXIR25NH-AI: 8 Megapixel IP Plug & Play, Outdoor PTZ**

InVid Tech, reserves the right to make changes to improve our products at any time without notice; we are not responsible for misprints.