



PAR-P8PTZXIR32NH-AI

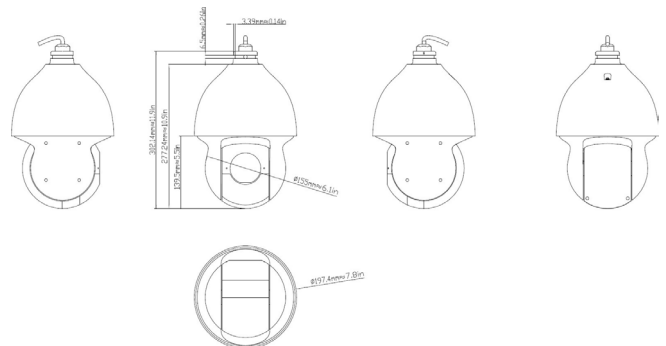
8 Megapixel IP Plug & Play, Outdoor PTZ, 32x Optical Zoom, up to 656' IR Range, True WDR, SD Card Slot, DC24V/PoE++

Features

- True AI Human and Vehicle Classification for Line Crossing and Intrusion Detection
- Supports Native Chrome/Edge Use
- 8 Megapixel Resolution
- Supports Smart tracking Based off AI Event
- True Day/Night with IR Range up to 656'
- H.265,H.265+,H.264,H.264+ Compression
- 30 FPS Recording and Live
- True WDR
- Micro SD Slot: Up to 256GB
- Audio Input/Audio Output
- IP67 Weatherproof
- DC24V/PoE++ Operation
- ONVIF
- Free iOS & Android Apps for Smart Phones & Tablets
- Free Central Management Software (CMS) for PC/MAC
- NDAA Compliant

Camera Module	
Image sensor	1/2.8" progressive scan CMOS image sensor, BSI and NIR++,dual gain(SONY IMX715)
Max resolution	3840x2160
Mini. Illumination	Color: 0.01 Lux @ (F1.3,AGC ON); B/W:0.002 Lux @(F1.3 AGC ON); 0 Lux with IR
Image setting	Flip, Mirror, Saturation, Brightness, Contrast, Sharpness, AGC, etc. adjusted by client
Shutter Speed	60Hz: 1/30s – 1/30,000s@30fps; 50Hz: 1/25s~1/25,000s@25fps
White Balance	Auto/Manual/Indoor/Outdoor
Gain control	Auto/Manual
Day & Night control	Auto/Manual_time schedule
Iris control	Auto/Manual
SNR	≥52dB
3D DNR	Auto/Manual
AE Enhancement	BLC, HLC, WDR/HDR
Digital Zoom	8X
EIS	N/A
Privacy Mask	4 mask areas (Ver 5.1.3 update: 24 programmable polygon privacy masks, color or mosaic configurable)
Picture overlay	Logo picture could be overlaid on video with 128x128pixels,24bits format
OSD overlay	Max 15 characters/line, 8 lines, white or red font color
Lens	
Focus length	f=4.8-154mm,32x optical zoom
Zoom Speed	Approx. 4.6s (optical zoom, wide-tele)
Field of View	Horizontal: 61.3°~2.18°;Vertical: 36.9°~1.22°; Diagonal: 68.4°~ 2.5°(wide-tele) ±5%
Image distance	Wide: 1.0m ~ INF; tele: 1.5m ~ INF
Aperture Range	F1.3~F4.8(W-T)
Iris Type	DC_IRIS
IR Cut type	Removable IRCF, reflection type
DORI Distance	Focus length Detect Observe Recognize Identify
	f=4.8mm 326.8 ft (143.4m) 129.7 ft (56.9m) 65.4 ft (28.7m) 32.7 ft (14.3m)
	f=154mm 8126.6 ft (4093.8m) 3250.7 ft (1624.5m) 1625.3 ft (818.8m) 812.7 ft (409.4m)
PTZ	
Pan Range	360°endless
Pan speed	Configurable, from 0.1°/360°/s; Preset speed: 330°/s
Tilt Range	From -25°to 155°,auto flip at 90°
Tilt Speed	Configurable, from 0.1°/210°/s; Preset speed: 180°/s
Proportional Zoom	Yes
Preset	360
Cruise	8 cruises, up to 16 presets (ver5.1.3 update:32presets) for each cruises
Trace	4 traces, record time over 3 minutes(ver5.1.3 update: 10minutes) for each trace
Power off memory	Support
Action mode	Preset/Cruise/Trace/Auto Scan/Random Scan
3D Positioning	Support
PTZ status display	Support
Schedule Task	Preset/Cruise/Trace/Random Scan/Boundary Scanning /Dome reboot
IR	
IR Distance	656 ft (200m)
IR type	8pcs of 5W 855nm IR Array, 4groups
Smart IR	Yes
Network	
Main stream	50Hz: 25fps: 3840x2160, 2560x1440, 1920x1080, 1280x960, 1280x720; 60Hz: 30fps: 3840x2160, 2560x1440, 1920x1080, 1280x960, 1280x720
Sub stream	50Hz: 25fps (704 x576, 640 x480, 352 x288); 60Hz: 30fps (704 x480, 640 x480, 352 x240)
Third Stream	50Hz: 25fps (1920 x1080, 1280 x960, 1280 x720, 704 x576, 640 x480, 352 x288) 60Hz: 30fps (1920 x1080, 1280 x960, 1280 x720, 704 x480, 640 x480, 352 x240)
Video compression	H.265+/H.265/H.264+/H.264/MJPEG

H.264 Standard	H.264/AVC codec BP/MP/HP, Level 5.1
H.265 Standard	H.265/HEVC codec MP, level 5.0
Video Bit Rate	64 Kbps to 16Mbps
Audio compression	G.711 A/U
Audio Bit Rate	64K bps
Protocols	HTTP, HTTPS, IPv4/IPv6, 802.1x, QoS, FTP, SMTP, UPnP, SNMP, DNS, DDNS, NTP, RTSP, RTP, TCP/IP, UDP,DHCP, PPPoE, RTMP
User / Host	Up to 16 users, 3 levels: Administrator, Advanced User and Normal User
Security Measures	User authentication (ID and PW), Host authentication (MAC address); HTTPS encryption, IEEE802.1x port-based network access control; IP address filtering
API	ONVIF Profile G/S/T
Client	Paramont NVR, Paramont CMS 2.0, Paramont CMS Mobile App
Web Browser	IE8-11 with plug-in; Edge, Chrome, Firefox with plugin free
Smart Features	
Basic event	Motion detection, Video tampering alarm, Exception Network disconnected, IP address conflict, SD full, SD error)
Face recognize	Face detection, capturing (Default off, open per request) face comparison. Max 15 faces at the same times
Smart Detection	Tripwire, Bi-directional tripwire, Illegal intrusion detection, Region entrance detection, Region exiting detection, etc.
Smart Tracking	Support smart tracking of human or vehicle, auto/manual
System Integration	
Alarm Interface	1 Alarm input(Dry contact); 1 Alarm output
Audio Interface	1 audio input, line level, 2.0-2.4Vpp, impedance 1KΩ; 1 audio output, line level, impedance.600Ω
Alarm Linkage	Alarm actions, such as Preset, Cruise, Trace, Memory Card Video Record, Trigger Recording, Notify Surveillance Center, Upload to FTP/Memory Card, Send Email, etc.
Network Interface	1 RJ45 10M/100M Adaptive Ethernet; Support PoE++
SD Card Slot	One MicroSD slot and chamber, up to 256G
Built-in Speaker& Mic	N/A
RS485	N/A
BNC	N/A
Reset button	Yes
Electric Heater & Fan	Yes
Water removal	Remove water-drops by quick spinning
Demist	Active electric heating and air loop
General	
Languages	Czech; English, German, Hungarian, Italian, Japanese, Korean, Portuguese, Polish, Russian, Romanian, Spanish, Spanish (Mexico) , Simplified Chinese, Turkish, Traditional Chinese, etc.
Power consumption	avg. 14W, max 29W, including IR 10W
Power adaptor	DC24V±25%1500mA adaptor AC24V
Power over ethernet	PoE++ (802.3.bt) (60Watt) midspan, network switch, router or high power NVR
Working condition	-40°F ~ 149°F (-40°C ~ 65°C), IR off: -40°C ~ 45°C,IR on; Cold start at - 30°C; 90%RH
Storage condition	-40°F ~ 158°F (-40°C ~ 70°C); ≤ 95% RH
Protection	6000V Lightning Protection, Surge Protection and Voltage Transient Protection
Material	Aluminum Alloy (ADC12); Polymer (PC+GF15%)
Dimensions	Φ7.8 inch x11.9 inch (Φ 197mm x 302mm)
Weight	Approx. 6.22 lb (2.82 Kg)
Certification	IP67, IK10(including glass window), ROHS, CE, FC, KC, BIS,UKCA



Ordering Information

PAR-P8PTZXIR32NH-AI: 8 Megapixel IP Plug & Play, Outdoor PTZ