



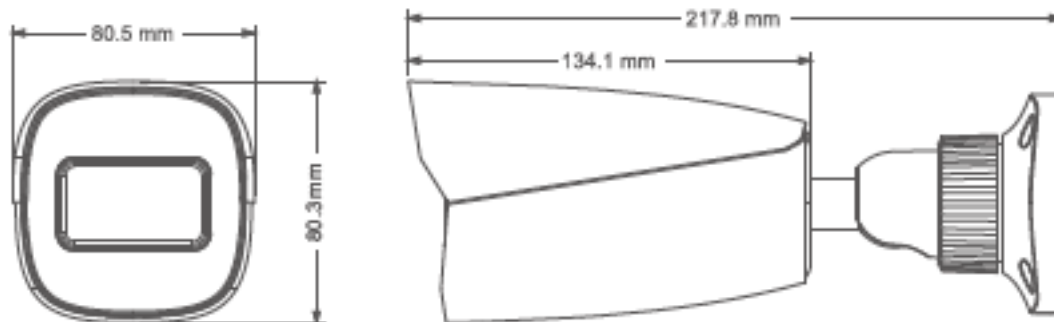
PAR-C5BIRA2812N

5 Megapixel, Motorized Autofocus 2.8-12mm Lens, TVI/AHD/CVI/ Analog 960h, 164' Smart IR Range, True Day/Night, D-WDR, 12VDC

Features

- 5 Megapixel Resolution (2592 x 1944)
- Motorized Auto-Focus 2.8-12mm Lens
- All-in-One Technology (TVI/AHD/CVI/Analog 960h)
- 164' Smart IR Range
- True Day/Night
- D-WDR
- Up The Cable (UTC) Function
- IP67 Weatherproof
- 12VDC Operation
- NDAA Compliant

Camera	PAR-C5BIRA2812
Image Sensor	1 / 2.5" CMOS
Resolution	5MP/ 4MP
Image Size	Max. 2944 × 1656 (16:9)
Video Output	AHD / TVI / CVI / CVBS
Image System	PAL / NTSC
Electronic Shutter	Auto; 1/50s~1/100000s (PAL); 1/60s~1/100000(NTSC)
IR Distance	164'
Frame Rate	TVI: 2944×1656@20fps, 2560×1440@25fps/30fps AHD: 2944×1656@20fps, 2560×1440@25fps/30fps CVI: 2560×1440@25fps/30fps (4MP Only) CVBS: PAL/NTSC
Min. Illumination	Color: 0.01lux@F1.2, AGC ON; B/W: 0 lux with IR
Lens	2.8 ~12mm Automatic Focus and Motorized Lens
Lens FOV	2.8-12mm 91.2°-33.4° H, 75°-25.4° V, 108°-41.2° Crossline
Lens Mount	M12
S / N Ratio	≥52dB (AGC OFF)
Ingress Protection	IP 67
Functions	
Function Control	OSD (UTC Control)
Day & Night	ICR
Digital WDR	Yes
Digital NR	Yes, 2D DNR
AGC	Yes
Auto White Balance	Yes
BLC	Yes
HLC	Yes
Sharpness	Yes
Smart LED	Yes
Image Setting	Yes
Defect Correction	Auto
Language	Chinese and English
Angle Adjustment	Pan: 0°~360°; Tilt: 0°~90°; Rotation: 0°~360°
Others	
Power Supply	DC12V (± 15%)
Power Consumption	IR OFF : < 1W; IR ON : < 4W
Working Environment	-22°F ~ 122°F (- 30 °C ~ 50 °C), 10 % ~ 90 % (relative humidity)
Dimensions	8.6 x 3.2 x 3.2 in (217.7 x 80.5 x 80.3mm)
Weight (net)	Approx. 1.23 lbs (0.56KG)



Ordering Information

PAR-C5BIRA2812N: 5 Megapixel Bullet, 2.8-12mm