

PRTKIT-5MP8CHTX8-2T

8CH NVR W/ (8) 5MP CAMERAS 100' CABLE PER CAMERA NDAA COMPLIANT

- 8 Ch. NVR with 8 PoE Ports (PRTN-8X8)
- 5-Megapixel 2.8mm Turret (PRT-P5TXIR28)
- 100' cable per camera
- 2 Protection Stickers



Kit Camera: PRT-P5TXIR28

5 Megapixel IP Plug & Play, Outdoor Turret, Fixed Lens, IR Range up to 98'; WDR, Built-in Mic, SD Card Slot, DC12V/PoE

Kit Camera Features

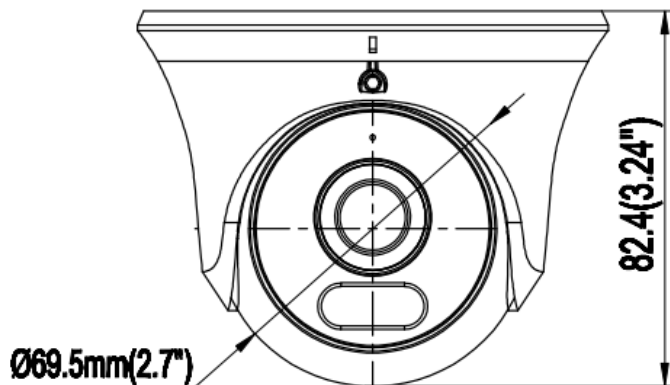
- Smart Analytics: AI Human Body Detection
- 5 Megapixel Resolution
- Fixed 2.8mm Lens
- True Day/Night with IR Range up to 98'
- H.264/H.264+/H.265/H.265+
- WDR
- Micro SD Slot: Up to 128GB
- Built-in Mic
- IP67 Weatherproof
- 12VDC/PoE Operation
- ONVIF
- Free iOS & Android Apps for Smart Phones & Tablets
- Free Central Management Software (CMS)
- Free MAC Client

Camera	PRT-P5TXIR28
Sensor+DSP	IMX335+NT98566
Image Sensor	1/2.8" Progressive scan CMOS Sensor
Min. Illumination	0.01lux(Color), 0lux(IR on)
Lens Type&Focal Length	Fixed focal lens,2.8mm@F1.6
FOV	horizontal FOV:104°, vertical FOV:74°, diagonal FOV:130°
IR	2pcs Array LED
IR Range	up to 98' (30m)
Deterrent Light	Supported (white light on event)
Smart IR	Support
Shutter Time	Auto/Manual, 1/3~1/10000s
Day/Night	IR cut filter with auto switch
Wide Dynamic Range	WDR & DWDR
Digital noise reduction	2D/3D DNR
Compression Standard	
Video Compression	H.264/H.264+/H.265/H.265+
H.264 Codec profile	Base/Main/High profile
H.265 Codec profile	Main profile
Video Bit Rate	11 Kbps ~ 8 Mbps
Triple Streams	Support
Audio Compression	G.711A/G.711U
Audio Bit Rate	64 Kbps

Ordering Information

Kit Part Number: PRTKIT-5MP8CHTX8-2T

Image	
Max. Image Resolution	5MP(2592 × 1944)
Frame Rate	50Hz:20fps 5MP (2592 × 1944) 25fps 4MP (2304 × 1728) 25fps 3MP (2048 × 1536), 25fps 1080P (1920 × 1080) 60Hz:20fps 5MP (2592 × 1944) 25fps 4MP (2304 × 1728) 30fps 3MP (2048 × 1536), 30fps 1080P (1920 × 1080)
Sub Stream	50Hz:25fps 720P(1280 × 720) 25fps D1(704 × 576),25fps CIF(352 × 288) 60Hz:30fps 720P(1280 × 720) 30fps D1(704 × 480),30fps CIF(352 × 240)
Third Stream	50Hz:25fps CIF(352 × 288) 60Hz:30fps CIF(352 × 240)
Image Setting	Brightness/Contrast/Saturation/Hue/Sharpness
BLC	Support
HLC	Support
ROI	Support
Defog	Support
Rotate	Support
Network	
Network Storage	N/A
Protocols	TCP/IP,ICMP,HTTP,HTTPS,FTP,DHCP,DNS,DDNS,RTP,RTSP, RTCP,NTP,IGMP,UPnP,SMTP,UPnP-TM,P2P,Bonjour
Event	Smart Motion Detection/SMD (Human Classification) Video Shelter
Perimeter Protection	Line Crossing, Area Intrusion (Human Classification)
Analytics	Region Entrance Region Exiting Fast Moving
System compatibility	ONVIF Profile G/S/T, CGI
Security	User authentication, IP address filtering, Video mask
WEB	IE, Edge, Chrome, Firefox
Mobile Surveillance	iPhone, Android devices
Interface	
Communication interface	1 RJ45 10M / 100M Ethernet Port
On-board storage	up to 128GB
Mic	Built-in Mic
Reset button	Support
Audio I/O	NA
General	
Operating Conditions	-22°F ~ 140°F (-30°C ~ 60°C) Humidity 95% or less (non-condensing)
Power Supply	DC12V ± 10%
PoE Supply	PoE (802.3af)
Power Consumption	MAX. 7W
Weather Proof	IP67
Dimensions	4 x 3.2 in (102 x 82.4 mm)
Weight	1lb (450g)





Kit NVR: PRTN-8X8

8 Ch NVR with 8 Plug & Play Ports, 80 Mbps, 1 HD Bay

Kit NVR Features

- Up to 8 Megapixel Resolution Recording
- 80 Mbps Bit Rate Input
- Supports up to 8 channel simultaneous playback
- Smart Analytic Support
- Local HDMI main monitor output with 4K support
- Local VGA main monitor output up to 1080p
- True P2P Connectivity with QR Code Connect
- Cloud Upgradeable
- Cloud Storage Option: Drop Box/Google Drive
- H.265+/H.265/H.264+/H.264
- 1 Hard Drive Bay
- Free Central Management Software (CMS)
- Free iOS & Android Apps for Smart Phones & Tablets
- Free MAC Client

Model	PRTN-8X8
Chipset	Nova98323
Video & Audio Input	
IP Video Input	8ch
Two Way Talk	1-ch, RCA
Video & Audio Output	
HDMI	1ch, resolution:4K(3840×2160)/30Hz,1920×1080/60Hz, 1280×1024/60Hz,1280×720/60Hz
VGA	1ch, resolution:1920×1080/60Hz,1280×1024/60Hz,1280×720/60Hz
Audio Output	1-ch, RCA
Recording	
Compression	H.265+/H.265/H.264+/H.264
Resolution	8MP/5MP/4MP/3MP/1080P/720P/D1/CIF /QCIF
Bit Rate	64Kbps~10Mbps
Playback & Backup	
Playback Resolution	8MP/5MP/4MP/3MP/1080P/720P/D1/CIF /QCIF
Decoding Capability	4ch@1080P 1ch@5M 1ch@8M
Synchronous Playback	8ch
Playback Mode	Smart Playback/Normal/Time Division/ Label/ Event/ Log playback
Backup Mode	USB Device/Network
Advanced Features	
Smart Detection	Area Intrusion, Line crossing, Region Entrance /Region Exiting, Fast Moving, Object Missing, Unattended Object, Loitering Detection, Parking Detection, Face Detection, People Gathering Detection, Blurred detection, Scene change detection, Audio exception detection, SMD, PP
Smart Playback	Face detection/Line Crossing/Are Intrution/Motion Detection
Cloud Storage	Support
Cloud Upgrade	Support
Network	
incoming Bandwidth	80Mbps
Outgoing Bandwidth	80Mbps
Ethernet	1 RJ-45 10 /100 /1000 Mbps self-adaptive Ethernet interface
Network Function	HTTPs, HTTP, TCP/IP, IPv4, UPnP, RTSP, UDP, SMTP, SNMP, Multicast, NTP, DHCP, DNS, IP Filter, DDNS, FTP, P2P, ONVIF
Smart Phone	IOS (iPhone, iPad), Android (Phone, Pad)
Remote Users	32
Hard Disk	
SATA	1 SATA interface
Capacity	Up to 10TB capacity for each HDD
External Interface	
POE Interface	8 independent 10 /100 Mbps PoE Ethernet interfaces
USB Interface	Front panel: 1 × USB 2.0 Rear panel: 1 × USB 2.0
Alarm In	4-ch
Alarm Out	1-ch
General	
Power Supply	DC48V 2A
Power Consumption	≤10W(without HDD and POE)
Working Environment	32°F ~ 131°F (0°C ~ 55°C) / 10%~90%RH
Dimension (W×D×H)	12.4 x 9.4 x 1.8 in (315 x 240 x 45mm)
Weight	4.9 lb (2.2kg)

Ordering Information

Kit Part Number: PRTKIT-5MP8CHTX8-2T