

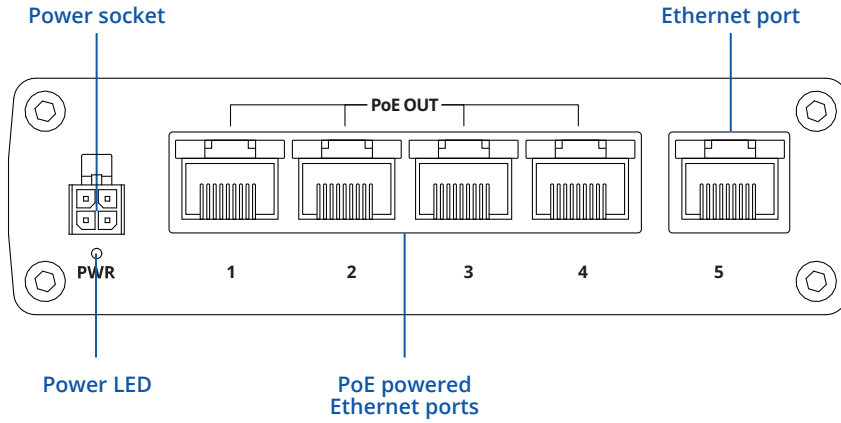
InVidTech

Innovative Video Technology

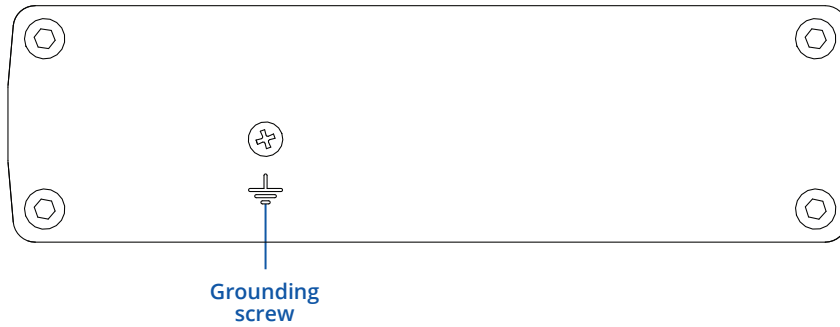


HARDWARE

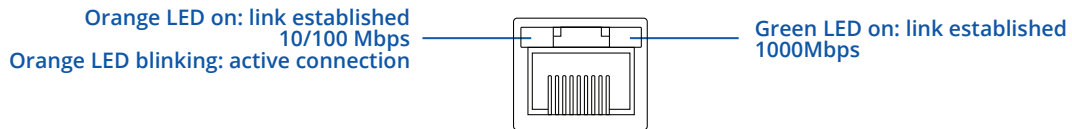
FRONT VIEW



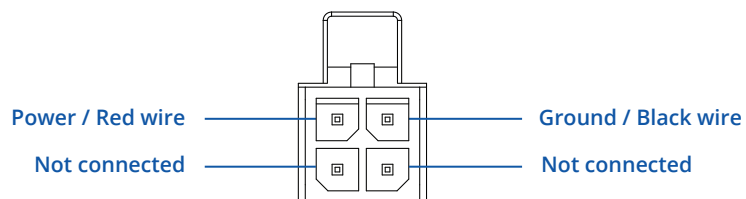
BACK VIEW



RJ45 LED MEANING



POWER SOCKET PINOUT



FEATURES

ETHERNET

LAN	5 x ETH ports, 10/100/1000 Mbps, supports auto MDI/MDIX crossover
IEEE 802.3 series standards	802.3i, 802.3u, 802.3ab, 802.3x, 802.3az

POE

PoE ports	Port 1- 4
PoE standards	802.3af and 802.3at
PoE Max Power per Port (at PSE)	30 W
PoE Power Budget (at PSE)	120 W

PERFORMANCE SPECIFICATIONS

Bandwidth (Non-blocking)	10 Gbps
Packer buffer	128 KB
MAC address table size	2K entries

POWER

Connector	4-pin industrial DC power socket
Input voltage range	7 – 57 VDC
PoE-out input voltage range	44 – 57 VDC
Power consumption	Idle: 2 W / Max (no PoE): 9 W / PoE Max: 129 W

PHYSICAL INTERFACES

Ethernet	5 x RJ45 ports, 10/100/1000 Mbps
Status LEDs	1 x Power LED, 10 x ETH status LEDs
Power	1 x 4-pin power connector
Other	1 x Grounding screw

PHYSICAL SPECIFICATION

Casing material	Full aluminum housing
Dimensions (W x H x D)	4.5 x 1.3 x 3.7 in (115 x 32 x 95 mm)
Weight	.77lbs (350 g)
Mounting options	DIN rail or wall mounting (additional kit needed), flat surface placement

OPERATING ENVIRONMENT

Operating temperature	-40°F to 167°F (-40 °C to 75 °C)
Operating humidity	10% to 90% non-condensing
Ingress Protection Rating	IP30

REGULATORY & TYPE APPROVALS

Regulatory	CE/RED, UKCA, CB, UCRF, EAC, RoHS, REACH, ANRT, RCM, GITEKI, FCC, IC, ANATEL, NOM, E-mark
------------	---

SECA-GIGPOE4-1 SPATIAL MEASUREMENTS

MAIN MEASUREMENTS

W x H x D dimensions for SECA-GIGPOE4-1:

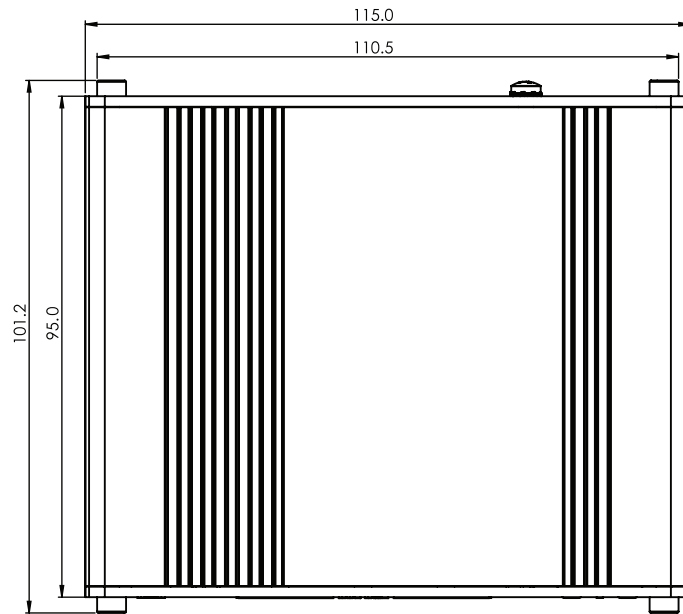
Device housing*: 4.5 x 1.3 x 1.3 in (115 x 32 x 95 mm)

Box: 6.8 x 2.8 x 5.8 in (173 x 71 x 148 mm)

*Housing measurements are presented without antenna connectors and screws; for measurements of other device elements look to the sections below.

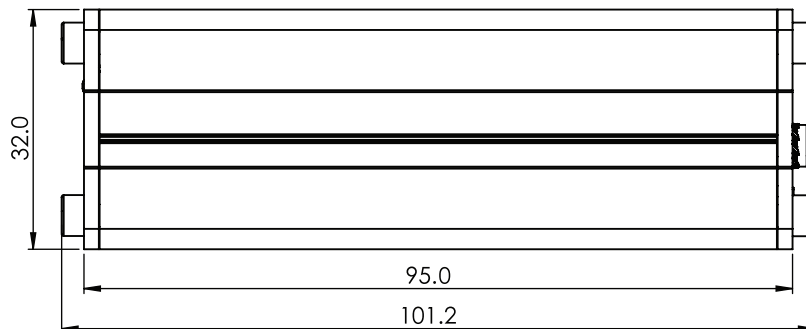
TOP VIEW

The figure below depicts the measurements of SECA-GIGPOE4-1 and its components as seen from the top:



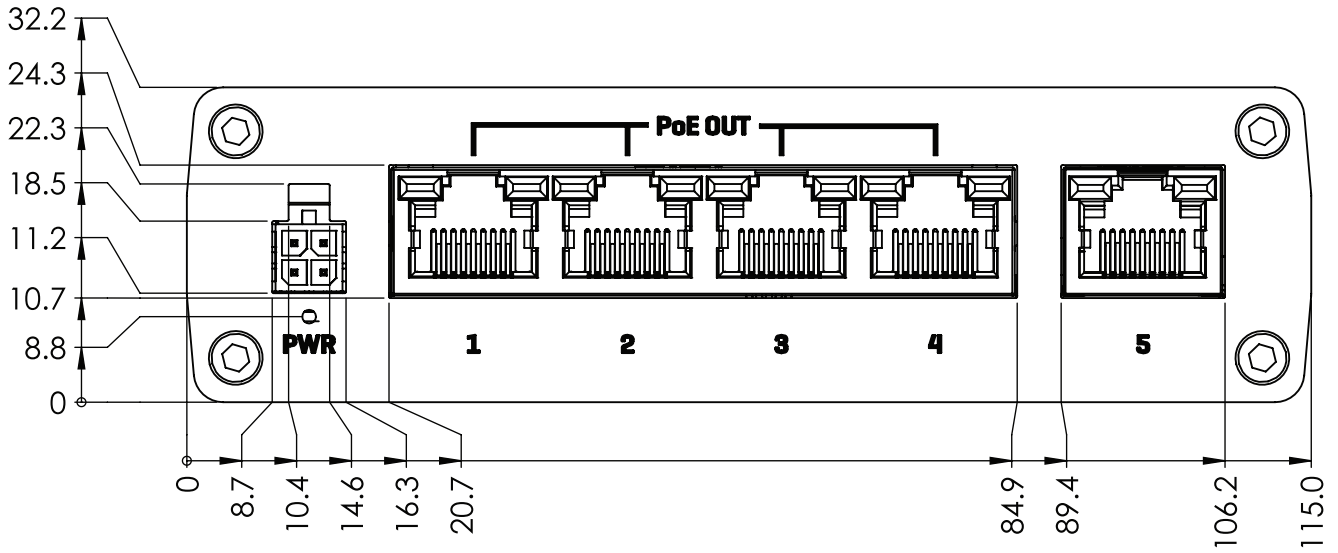
RIGHT VIEW

The figure below depicts the measurements of SECA-GIGPOE4-1 and its components as seen from the right side:



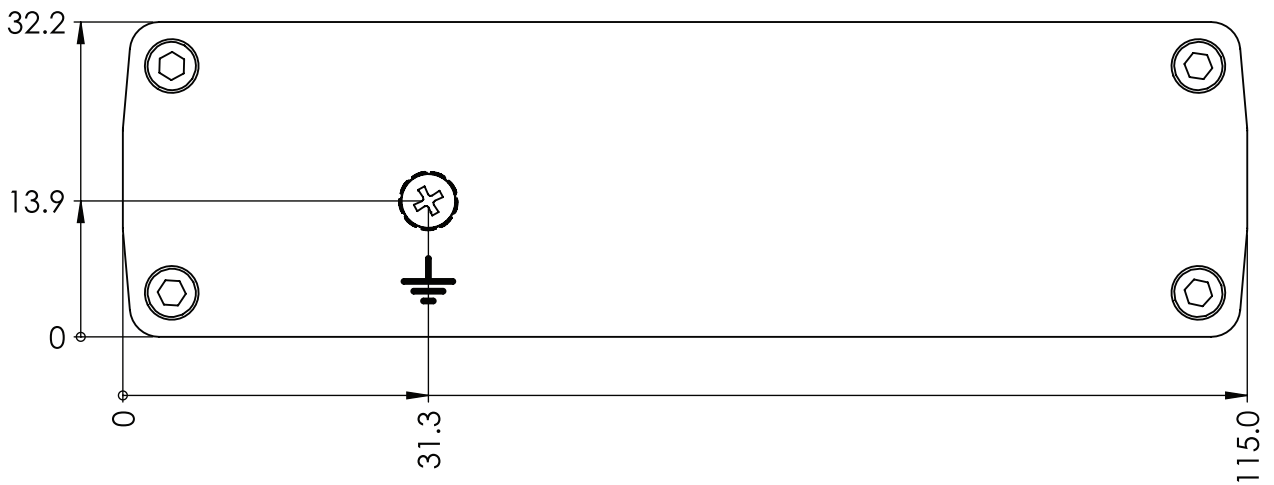
FRONT VIEW

The figure below depicts the measurements of SECA-GIGPOE4-1 and its components as seen from the front panel side:



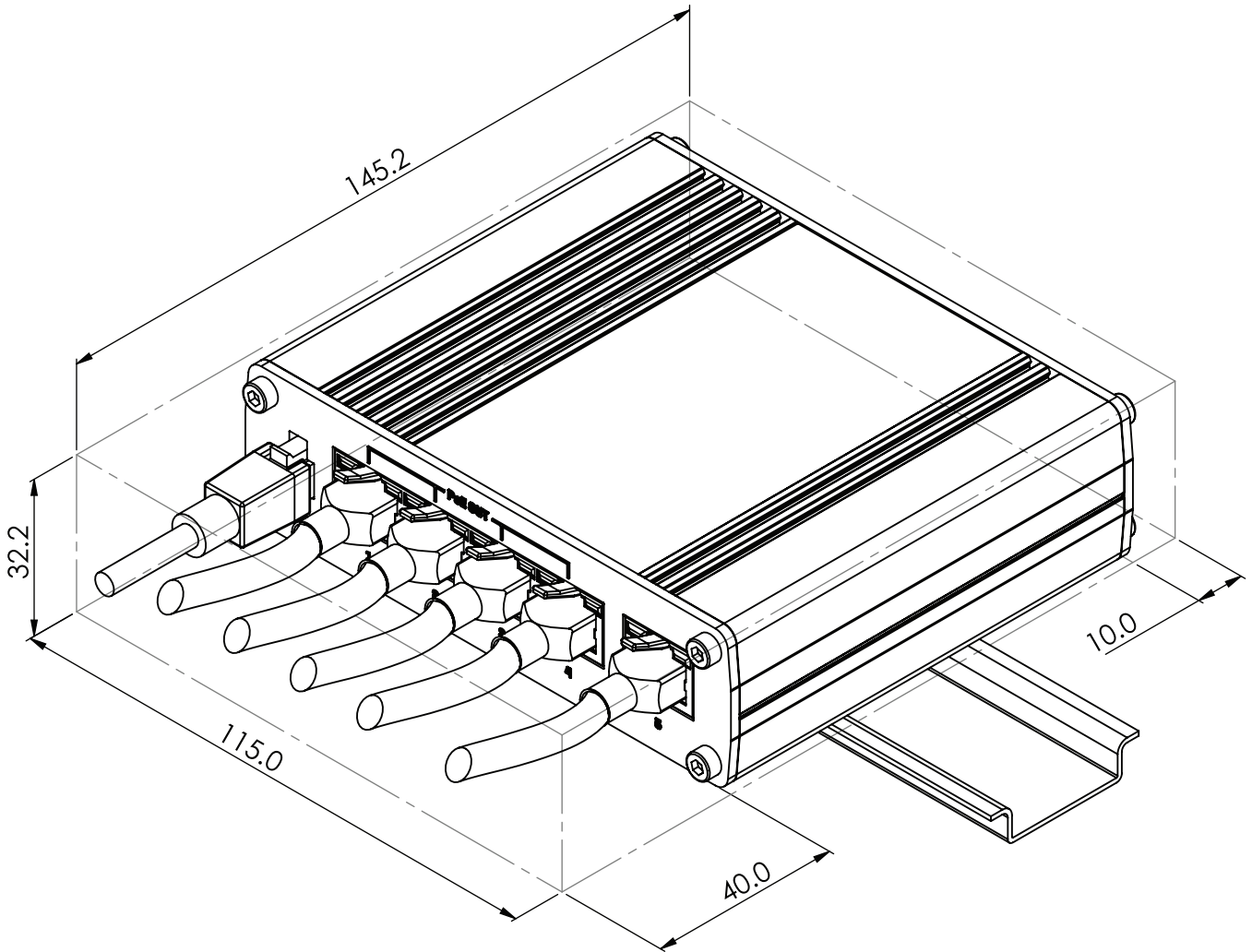
REAR VIEW

The figure below depicts the measurements of SECA-GIGPOE4-1 and its components as seen from the back panel side:



MOUNTING SPACE REQUIREMENTS

The figure below depicts an approximation of the device's dimensions when cables and antennas are attached:



DIN RAIL

The scheme below depicts protrusion measurements of an attached DIN Rail:

