

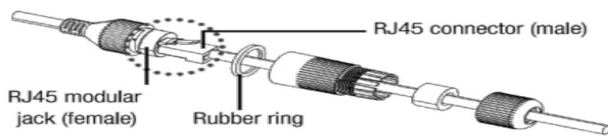
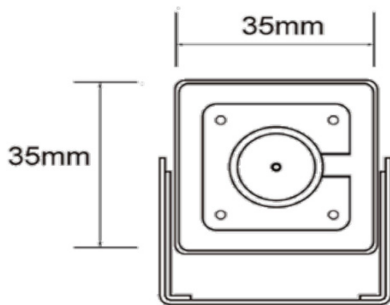


ULT-P2SQPOENH

2 Megapixel IP Miniature Square PoE Camera

Features

- 2 Megapixel Resolution
- True Day/Night
- H.264,MJPEG
- 30 FPS Recording and Live
- WDR
- SD Slot for Local Storage: up to 512GB
- 12VDC/PoE Operation
- ONVIF
- Free iOS & Android Apps for Smart Phones & Tablets
- Free Central Management Software (CMS)
- Free MAC Client



| | |
|--------------------------------|---|
| Specification | ULT-P2SQPOENH |
| Image | |
| Image Sensor | Sony Starvis 2.07Mega Pixels Image Sensor |
| Size | 1/2.8 inch |
| Scan method | Progressive Scan |
| Total Pixels | 1945(H) x 1109(V), 2.16 Mega Pixels |
| Effective Pixels | 1945(H)x 1097(V), 2.13 Mega Pixels |
| Camera Web Control | |
| Exposure | Auto(1/30~1/30000), (ANTI-SAT_ON / AE SPEED) AGC (0~10) Sens-up (OFF.x2.x4.x8.x16.x32) |
| Low Illumination | 0.05Lux / Sen-up :0.005Lux |
| Day & Night | AUTO / AUTO-Ext / PRESET / MANUAL |
| Backlight Comp. | HLC / BLC |
| Motion Detection | OFF / ON |
| D N R | 2DNR, 3DNR - HDR |
| Image adjust. | SHARPNESS/DEFOG/SHADING/PRIVACY GAMMMMA / MIRROR ,FLIP |
| White Balance | Auto(indoor) / Auto(Outdoor) / Push/ User |
| Output Set | Real WDR 3DNR LEVEL (LOW / MIDDL / HIGH) |
| System | Camera Title / Language |
| Camera RTC | SNTP Enable (ON /OFF) |
| Option | |
| Storage | Max. 512 GB (Built-in Card Slot) |
| Lens | |
| Focal Length | 3.6mm ± 5% |
| F.O.V. | H87.6° x V46.4° x D104.5° |
| Physical Spec | |
| Dimension | 1.4 in x 1.4 in (35 x 35mm) |
| Bracket Holder | Available |
| System | |
| OS | Embedded Linux |
| Network | |
| Interface | RJ45 10/100 Base-T PoE |
| Protocol | TCP/IP, UDP/IP, DHCP, AUTO IP, JGMP, ICMP, HTTP, UPnP, FTP, SMTP, SNTP, DNX, RTSP, RTMP |
| Onvif | The latest one |
| Simultaneous Access | Max. 4 user |
| Compress Format | H.264 / MJPEG |
| Resolution | 1920x1080 (Full HD) / 1920x720 (HD) 800x600 (SVGA) / 640x480(VGA) / 320x240 (QVGA) |
| Max. Frame Rate | H.264 1080p@30fps + VGA@30fps |
| Video Streaming | Simultaneously H.264 and MJPEG Independent Frame Rate and Bandwidth Control, VBR/CBR Mode |
| Client Software | Built-in Web,ONVIF (gSOAP,profile S: Spec2.4) |
| uSD Card | SDIO 3.0 |
| Power | |
| Power Input | DC5~24V, PoE (IEEE802.3af) |
| Consumption | DC12V(1.8W) |
| Operation Temp./ Storage Temp. | 14°F ~122°F / -4°F~140°F (-10°C - +50°C / -20°C - +60°C) |

Ordering Information

ULT-P2SQPOENH: 2 Megapixel IP Miniature Camera, 3.6mm

ULT-P2SQPOE21NH: 2 Megapixel IP Miniature Camera, 2.1mm

ULT-P2SQPOEP37NH: 2 Megapixel IP Miniature Pinhole Camera, 3.7mm