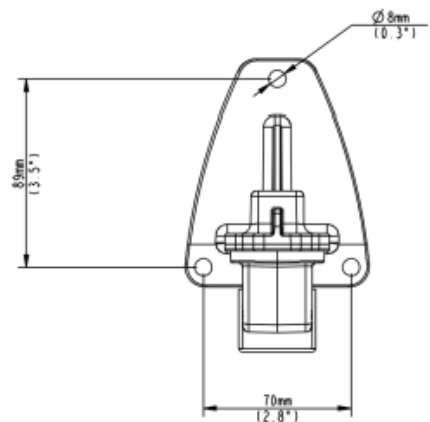
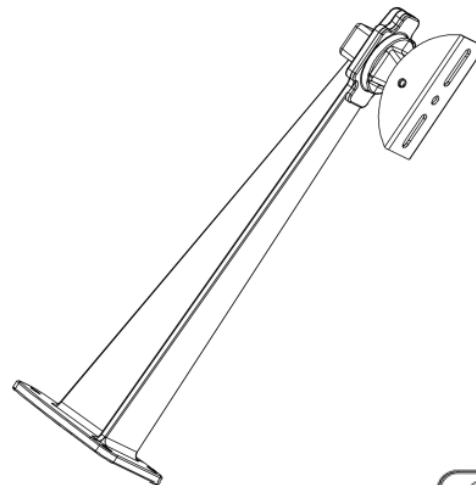
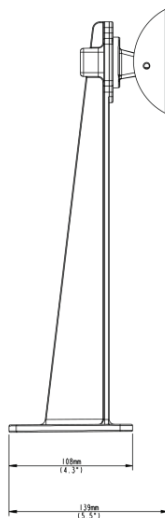
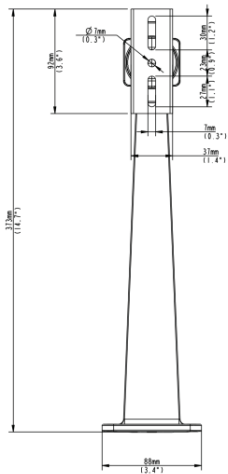




IVM-EDRWM1
Explosion Proof Wall Mount

Bracket	IVM-EDRWM1
Application Range	28/29 Series Housing
Bracket Dimensions	5.5"x3.4"x14.7" (139mm*88mm*373mm)
Bracket Weight	1.76lb (0.8kg)
Bracket Material	Aluminum alloy
Adjustable Range	Horizontal: 360°; Vertical: -45° ~ 0°



Ordering Information
IVM-EDRWM1: Wall Mount