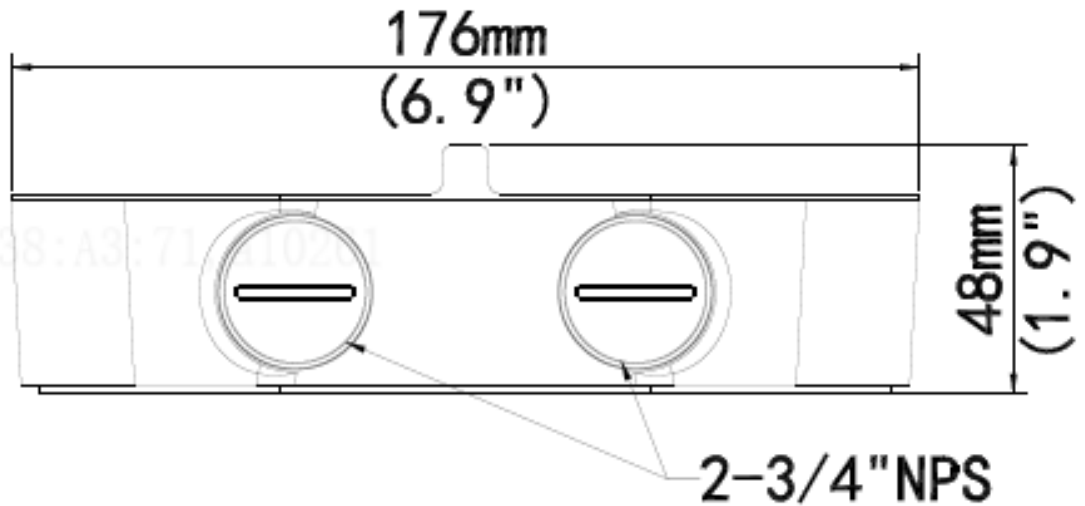
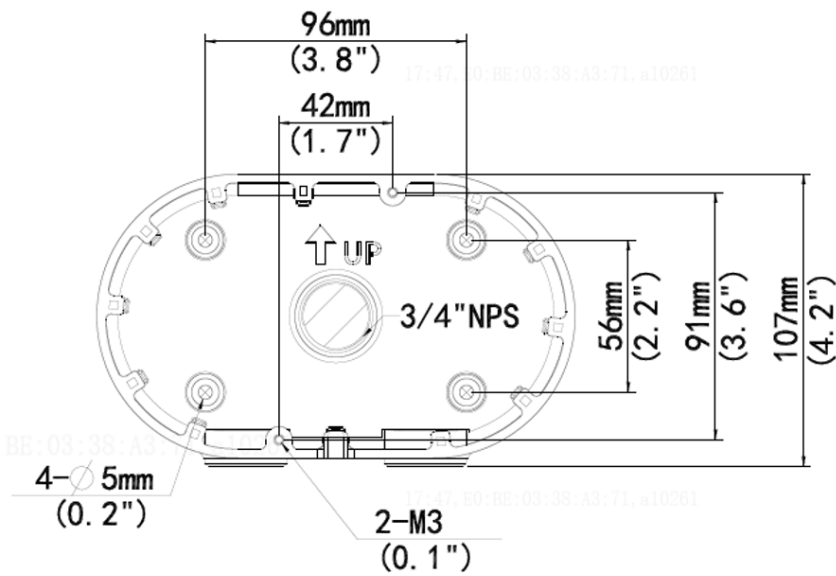




IVM-JB11
Junction Box

Bracket	IVM-JB11
Application	Junction box for VIS-P4DUALDRIR28NH-AI
Dimensions	Φ 6.9" x 4.2" x 1.9" (Φ176mm x 107mm x 48mm)
Weight	0.53lb (0.24kg)
Material	Aluminum alloy



Ordering Information
IVM-JB11: Junction Box