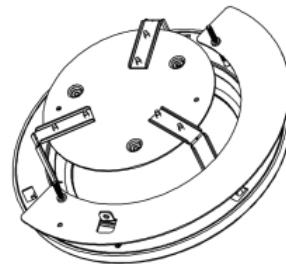
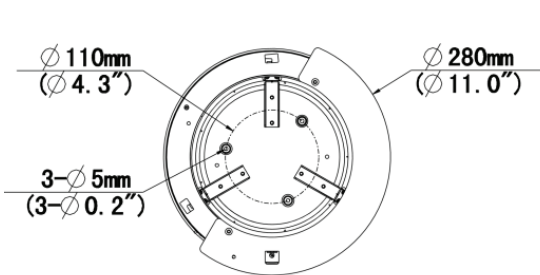
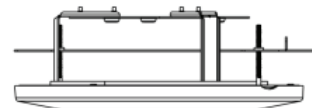
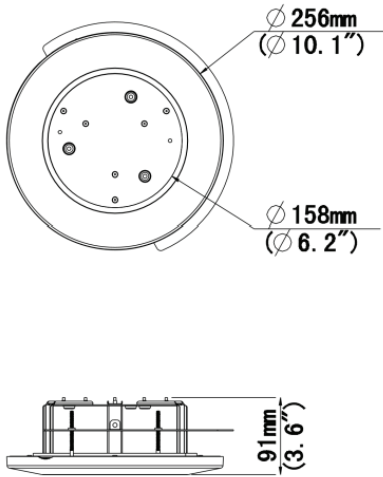


**IVM-PTZREC1**  
PTZ Dome In-ceiling Mount

Model	IVM-PTZREC1
Application	Indoor, indoor PTZ dome in-ceiling installation
Bracket Dimension	Φ11"×3.6" (Φ280mm×91mm) In-ceiling hole: Φ8.3" (Φ210mm)
Bracket Weight	2.65lb (1.2kg)
Bracket Material	Sheet metal and PC



Ordering Information  
**IVM-PTZREC1:** PTZ Dome In-ceiling Mount