

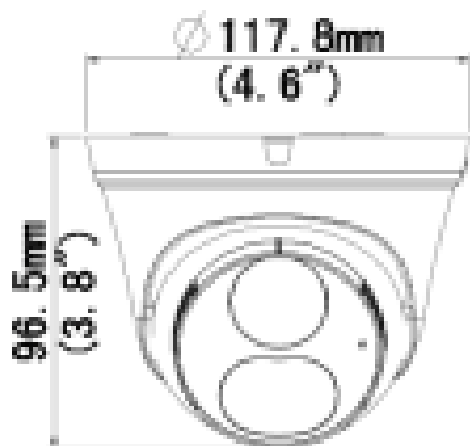


## VIS-C5TXIRA28WLIR

5 Megapixel TVI/AHD/CVI/Analog 960h, Outdoor Turret, 131' White Light or IR Range, D-WDR, 12VDC, Audio Over Coax (AoC)

### Features

- 5 Megapixel Resolution
- Built-in Mic: Audio Over Coax
- All-in-One Technology (TVI/AHD/CVI/Analog 960h)
- Fixed Lens
- True Day/Night with White Light or IR Range up to 131'
- D-WDR
- IP67 Weatherproof
- 12VDC Operation
- Up The Cable (UTC) Function
- Through InVid Tech DVR: Free App, CMS & MAC Client



### Ordering Information

**VIS-C5TXIRA28WLIR:** 5 Megapixel Turret, 2.8mm

Sensor	
Pixel	5MP
Sensor Size	1/2.7" CMOS
Min. Illumination	0.005 lux (F1.6, AGC ON) 0 lux (Illuminator ON)
Lens	
Focus	2.8mm
Lens Mount	M12
Angle of View (H)	110.0°
Angle of View (V)	57.0°
Angle of View (D)	130.0°
Illuminator	
Illuminator Number	Two IR illuminators; Two white-light illuminators
Illumination Distance	IR: 131.23 ft (40m) White light: 131.23ft (40m)
Lifetime	≥60000 hours
Video	
Resolution	5MP@25fps: 2880(H)×1620(V);5MP@20fps:2592(H)×1944(V); 5MP@12.5fps: 2592(H)×1944(V)4MP: 2560(H)×1440(V) 1080P: 1920(H)×1080(V)
Frame Rate	TVI: 5MP@20fps (default), 5MP@12.5fps, 4MP@25fps, 4MP@30fps, 1080P@25fps, 1080P@30fps AHD: 5MP@20fps, 4MP@25fps, 4MP@30fps, 1080P@25fps, 1080P@30fps CVI: 5MP@25fps, 4MP@25fps, 4MP@30fps, 1080P@25fps, 1080P@30fps CVBS: PAL, NTSC
Shutter Time	PAL: 1/25s-1/50000s, NTSC: 1/30s-1/50000s
Image	
Exposure Mode	Four modes: Global(default), BLC, HLC, DWDR
Day/Night	Three modes: Auto (default), Day, Night
Digital Noise Reduction	2D
White Balance	Two modes: Auto (default), Manual
WDR	DWDR
Light Mode	Dual light (default), Infrared, White light
Flip	Supports 180°horizontal flip, 180°vertical flip
Audio	
Built-in Mic	Support
Camera Audio	TVI: 5MP@20fps, 5MP@12.5fps, 4MP@25fps, 4MP@30fps, 1080P@25fps, 1080P@30fps CVI: 5MP@25fps, 4MP@25fps, 4MP@30fps
Interface	
Power Interface	5.5mm Power Interface
Video Output	BNC, supports TVI/AHD/CVI/CVBS
Operating Environment	
Temperature	-22 °F ~ 140°F (-30°C ~ 60°C)
Humidity	≤95% RH (non-condensing)
Surge Protection	4kV for power&4kV for video output interfaces
General	
Power	DC12V±25%
Power Consumption	MAX 3.5W
Mount	Corner Mount&Pole Mount&Wall Mount&Pendant Mount
Dimensions	4.6 x 3.8 in (Φ117.8mm*96.5mm) (diameter*height)
Material	Metal + Plastic
Weight	0.53lb (239g)
OSD Menu Language	11 Languages English, German, Spanish (Latin America), French, Italian, Japanese, Korean, Polish, Portuguese (Brazil), Russian, Turkish
Certification	
EMC	CE-EMC (EN 55032, EN 61000-3-3, EN IEC 61000-3-2, EN 55035)FCC (FCC 47 CFR part15 B)
Safety	CE-LVD (EN 62368-1)
Environment	CE-RoHS (2011/65/EU,(EU)2015/863); WEEE (2012/19/EU)
Protection	IP67 (IEC 60529)

