

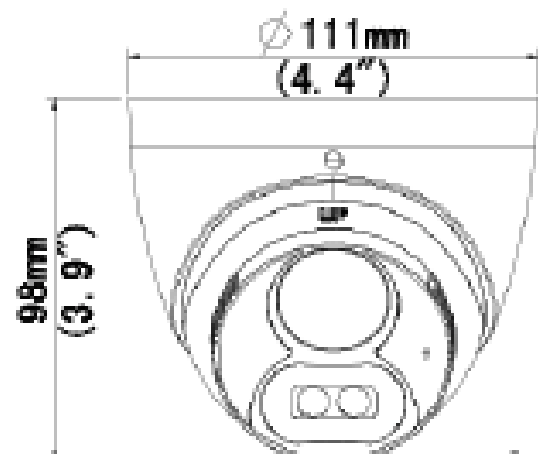


## VIS-C8TXIR28

8 Megapixel TVI/AHD/CVI/Analog 960h, Outdoor Turret, Up to 131' IR Range, True WDR, 12VDC

### Features

- 8 Megapixel Resolution
- All-in-One Technology (TVI/AHD/CVI/Analog 960h)
- Fixed Lens
- True Day/Night with IR Range up to 131'
- True WDR 120dB
- IP67 Weatherproof
- 12VDC Operation
- Up The Cable (UTC) Function
- Through InVid Tech DVR: Free App, CMS & MAC Client



### Ordering Information

VIS-C8TXIR28: 8 Megapixel Turret, 2.8mm

Sensor	
Pixel	8MP
Sensor Size	1/2.7" CMOS
Min. Illumination	0.005 lux (F1.6, AGC ON) 0 lux (IR ON)
Lens	
Focus	2.8mm
Lens Mount	M12
Angle of View (H)	109.1°
Angle of View (V)	61.0°
Angle of View (D)	126.7°
Illuminator	
Illuminator Number	Two IR illuminators
Illumination Distance	131'
Lifetime	≥60000 hours
Video	
Resolution	4K: 3840(H) × 2160(V) 5MP@20fps: 2592(H)×1944(V); 5MP@12.5fps: 2592(H)×1944(V) 4MP: 2560(H)×1440(V)
Frame Rate	CVI: 4K@15fps (default), 5MP@20fps, 4MP@25fps, 4MP@30fps TVI/AHD: 4K@15fps, 5MP@20fps, 4MP@25fps, 4MP@30fps CVBS: PAL, NTSC
Shutter Time	PAL: 1/25s-1/50000s, NTSC: 1/30s-1/50000s
Image	
Exposure Mode	Four modes: Global(default), BLC, HLC, WDR
Day/Night	Three modes: Auto (default), Day, Night
Digital Noise Reduction	2D/3D
White Balance	Two modes: Auto (default), Manual
WDR	120dB WDR
Smart IR	Support
Flip	Supports 180°horizontal flip, 180°vertical flip
Digital Defog	N/A
Audio	
Built-in Mic	Support (CVI, VIS-D2B-8/VIS-D2B-16 Only)
Camera Audio	CVI: 4K@15fps, 5MP@20fps, 4MP@25fps, 4MP@30fps
Interface	
Power Interface	5.5mm Power Interface
Video Output	BNC, supports TVI/AHD/CVI/CVBS
Operating Environment	
Temperature	-22 °F ~ 140 °F (-30°C ~ 60°C)
Humidity	≤95% RH (non-condensing)
Surge Protection	4kV for power&4kV for video output interfaces
General	
Power	DC12V±25%
Power Consumption	MAX 4.8W
Mount	Wall Mount, Pole Mount, Corner Mount, Pendant Mount
Dimensions	Φ4.4 × 3.9 in (Φ111mm*98mm) (diameter*height)
Material	Metal
Weight	0.92lb (417g)
OSD Menu Language	11 Languages English, German, Spanish (Latin America), French, Italian, Japanese, Korean, Polish, Portuguese (Brazil), Russian, Turkish
Certification	
EMC	CE-EMC (EN 55032, EN 61000-3-3, EN IEC 61000-3-2, EN 55035) FCC (FCC 47 CFR part15 B)
Safety	CE-LVD (EN 62368-1)
Environment	CE-RoHS (2011/65/EU;EU)2015/863); WEEE (2012/19/EU)

