

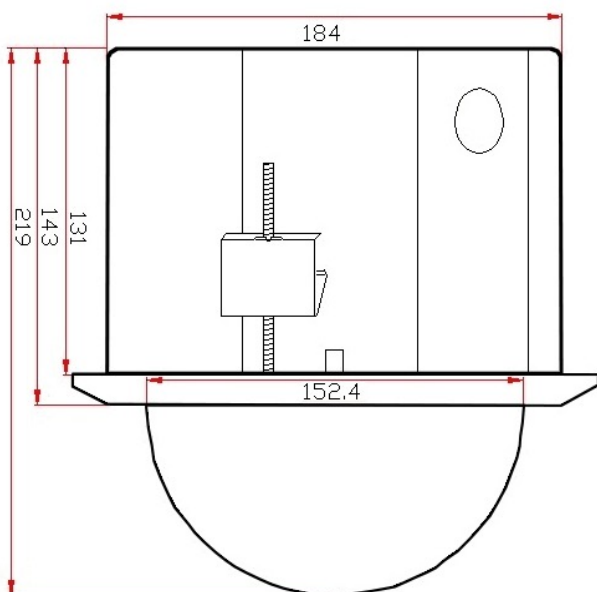


### VIS-P3PTZ33XREC

3 Megapixel IP Plug & Play PTZ, 33x, 4.5-148 mm, WDR, SD Card Slot, DC 12V/PoE

#### Features

- 3 Megapixel Resolution
- True AI Human and Vehicle Classification for Line Crossing and Intrusion Detection
- Ultra 265,H.265,H.264, MJPEG
- 30 FPS Recording and Live
- WDR
- Smart Analytics
- Micro SD Slot: Up to 256GB
- 12VDC/PoE Operation
- ONVIF
- Free iOS & Android Apps for Smart Phones & Tablets
- Free Central Management Software (CMS)
- Free MAC Client



#### Ordering Information

**VIS-P3PTZ33XREC:** 3 Megapixel IP Plug & Play PTZ

*InVid Tech, reserves the right to make changes to improve our products at any time without notice; we are not responsible for misprints.*

Camera	
Chipset	1/2.8"Sony IMX327 (2.0megapixel, CMOS)
Frame Rate	3MP (2304*1296) @ 30fps
OPTICS Zoom	Optical 33X, f=4.5mm ~ 148 mm
Digital Zoom	Digital:16X
Angle	Appr.(O) 88.2°(Wide) to 2.8°(Tele);(H) 71.7°(Wide) to 2.4°(Tele);(V) 43.4°(Wide) to 1.3°(Tele);
Iris	Auto/Manual, F1.5 ~ F3.8
Auto Focus	Auto /Manual
Min. Illumination	0.002lux (F1.5, AGC ON, colour); 0.001lux (F1.5, AGC ON, B/W)
Shutter Time	Auto/Manual; shutter time: 1 ~ 1/100000 s
Noise reduction	2D/3D DNR
Wide dynamic	120dB
Pan & Tilt	
Manual speed	Pan (0.1° ~ 300°/s) Tilt (0.1° ~ 300°/s)
Rotation	Pan continuously 360°, tilt 0 ~ 90° with auto-flip
Preset	128 preset, title can be edited
Auto-flip	Tilt down 90°, with auto-flip 180°
Scan	355°programmable, 4 scan
Tour	4 tour, and speed & park time of presets can be set.
Idle run	tour/preset/pattern/scan
Power up run	tour/preset/pattern/scan
Video	
Video Compression	Ultra 265,H.265, H.264, MJPEG
H.264 code profile	Baseline profile, Main Profile, High Profile
Frame Rate	Main Stream:3MP(2304*1296): Max. 30fps; Sub Stream: 2MP 1280*720:Max. 30 fps; Third Stream: 2MP (720*576):Max. 30 fps;
HLC	Supported
BLC	Supported
EIS	Supported
Privacy Mask	Up to 8 areas
ROI	Up to 8 areas
Motion Detection	Up to 4 areas
Smart	
Behavior Detection	Intrusion, cross line, motion detection, auto tracking
Intrusion	Enter and loiter in a pre-defined virtual region
cross line	Cross a pre-defined virtual line
motion detection	Moving within a pre-defined virtual region
Recognition	Face detection, Audio detection
Intelligent Identification	Defocus, Scene Change, Object Left, Object Moving
Statistical Analysis	People counting
General Function	Watermark, IP Address Filtering, Tampering Alarm, Alarm input, Alarm output, Access Policy, ARP Protection, RTSP Authentication, User Authentication
Storage	
Edge Storage	Micro SD, up to 256 GB
Network Storage	ANR
Network	
Protocols	IPv4, IGMP, ICMP, ARP, TCP, UDP, DHCP, PPPoE, RTP, RTSP, RTCP, DNS, DDNS, NTP, FTP, UPnP, HTTP, HTTPS, SMTP, 802.1x, SNMP,TLS,SSL
Compatible Integration	ONVIF(Profile S, Profile G, Profile T), API
Network	1 RJ45 10M/100M Base-TX Ethernet
General	
Power consumption	12W
Power supply	DC 12V 2A & POE(IEEE802.3af)
Temperature	-4 °F ~ 140 °F (-20°C ~ 60°C)
Installation	Inceiling
Net weight	4.6 lb (2.1kg)
Size	Product size 8.6 x 8.3 in (219×φ211mm), Packing size 11.8 x 11.8 x 18.1 in (300×300×460mm)
Protection Level	TVS lightning protection, surge protection and voltage transient protection