

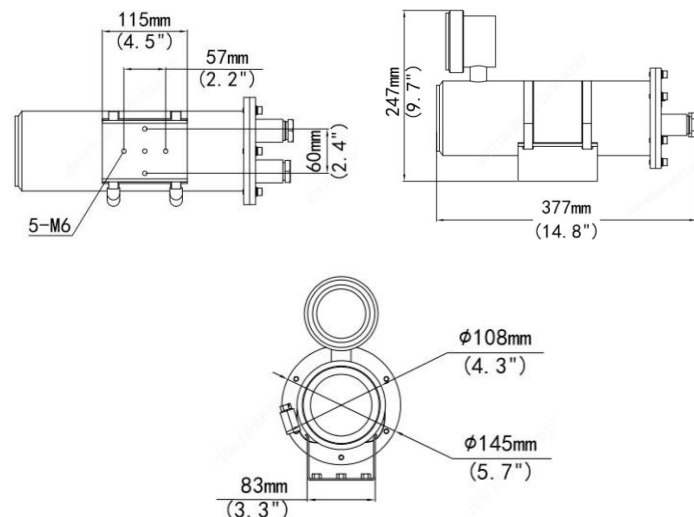


VIS-P4EBXIRA2812

4 Megapixel Resolution Intrinsically Safe / Explosion Proof Bullet, Motorized Auto-Focus 2.8-12mm Lens, IR Range up to 164', True WDR 120dB, IP68, AC220V/PoE

Features

- True AI Human and Vehicle Classification for Line Crossing and Intrusion Detection
- 4 Megapixel Resolution
- Intrinsically Safe / Explosion Proof
- Motorized Auto-Focus 2.8-12mm Lens
- 304 stainless steel for Ex dII .C T6 Gb/Ex tD A21 IP68 T80C
- True Day/Night with IR Range up to 164'
- H.265/H.264/MJPEG
- 30 FPS Recording and Live
- True WDR 120dB
- Micro SD Slot: Up to 256GB
- IP68 Waterproof
- AC220V/PoE
- ONVIF
- Free iOS & Android Apps for Smart Phones & Tablets
- Free Central Management Software (CMS)
- Free MAC Client



Ordering Information

VIS-P4EBXIRA2812: 4 Megapixel bullet, Motorized Auto-Focus 2.8-12mm Lens

Model	VIS-P4EBXIRA2812				
Camera					
Sensor	1/1.8", 4.0 megapixel, progressive scan, CMOS				
Lens	2.8 ~ 12 mm, AF automatic focusing and motorized zoom lens				
Optical Zoom	4				
DORI Distance	Lens	Detect(ft)	Observe(ft)	Recognize(ft)	Identify(ft)
	2.8mm	223.0 (68.0m)	89.2 (27.2m)	44.6 (13.6m)	22.3 (6.8m)
Angle of View (H)	12mm	545.2 (166.2m)	218.1 (66.5m)	109.0 (33.2m)	54.5 (16.6m)
	113.7°	42.0°			
Angle of View (V)	59.0° 24.1°				
Angle of View (O)	139.9° 51.7°				
Shutter	Auto/Manual, 1~1/100000 s				
Minimum Illumination	Colour: 0.0005 Lux (F1.2, AGC ON) 0 lux with IR				
Iris	Fixed				
Digital noise reduction	2D/3D DNR				
Day/Night	IR-cut filter with auto switch (ICR)				
S/N	>56dB				
WDR	120dB				
Illuminator					
IR Range	Up to 164 ft (50m) IR range				
Wavelength	850nm				
IR On/Off Control	Auto/Manual				
Video					
Video Compression	H.265, H.264, MJPEG				
Frame Rate	Main Stream: 4MP (2688*1520): Max. 30 fps; Sub Stream: 2MP (1920*1080): Max. 30 fps; Third Stream: D1 (720*576): Max. 30 fps;				
Video Bit Rate	128 Kbps~16 Mbps				
OSD	Time, Custom, Serial port, Network port, Picture overlay, People counting				
Privacy Mask	Up to 4 areas per scene				
ROI	Up to 8 areas				
Intelligent					
Smart intrusion prevention	Support false alarm filtering: Cross Line detection, Intrusion detection, Enter Area detection, Leave Area detection				
Face capture	Support, Face attributes: Gender, Age range, Glasses, Mask				
People counting	Support people flow counting and crowd density monitoring				
Events					
Basic Detection	Motion detection, Audio detection, Tampering alarm				
General Function	Watermark, IP Address Filtering, Alarm input, Alarm output, Access Policy, ARP Protection, RTSP Authentication, User Authentication				
Audio					
Audio Compression	G.711U, G.711A				
Audio Bitrate	64 Kbps				
Two-way Audio	Support				
Suppression	Support				
Sampling Rate	8kHz				
Storage					
Edge Storage	Micro SD, up to 256 GB (Built-in SD card is available for customization)				
Network					
Protocols	IPv4, IGMP, ICMP, ARP, TCP, UDP, DHCP, PPPoE, RTP, RTSP, RTCP, DNS, DDNS, NTP, FTP, UPnP, HTTP, HTTPS, SMTP, 802.1x, SNMP, QoS, RTMP, SSL/TLS				
Compatible Integration	ONVIF (Profile S, Profile G, Profile T), API, SDK				
Interface					
Audio I/O	1/1				
Alarm I/O	2/1				
Serial Port	Support				
Built-in Mic	N/A				
Built-in Speaker	N/A				
Built-in Heater	N/A				
Video output	N/A				
Network	10/100M Base-TX Ethernet				
General					
Power	AC220V(100~240V), PoE (IEEE802.3at) Power consumption: Max 13W				
Dimensions (L x W x H)	14.8" x 5.7" x 9.7" (377mmx145mmx247mm)				
Weight	16.7lb (7.58kg)				
Working Environment	-40°F ~ 158°F (-40°C ~ +70°C), Humidity ≤95% RH(non-condensing)				
Ingress Protection	IP68				