

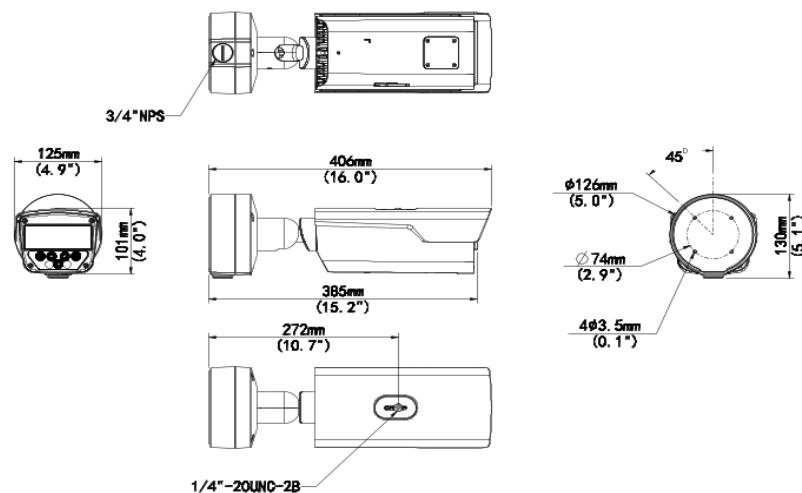


### VIS-P4LPR832NH-WL

4 Megapixel IP Plug & Play License Plate Recognition Outdoor Bullet, 8-32mm Motorized A/F, White Light up to 164', WDR, Audio Input/Output, 12VDC/PoE+, Includes Junction Box

#### Features

- 4 Megapixel Resolution
- Motorized Auto-Focus 8-32mm Lens
- License Plate Recognition
- White Light up to 164'
- H.265/H.264 Compression
- 30 FPS Recording and Live
- True WDR 120dB
- Micro SD Slot: Up to 256GB
- Audio Input/Output
- Alarm Input/Output
- IP67 Weatherproof
- 12VDC/PoE+ Operation
- ONVIF
- Supports Native Chrome/EDGE Use
- Free iOS & Android Apps for Smart Phones & Tablets
- Free Central Management Software (CMS) for PC/MAC
- NDAA Compliant



Camera	
Sensor	1/1.8 inch 4MP CMOS
Focal length	8 to 32mm, motorized zoom
Shutter	Auto/Manual, range: 1/30 to 1/100000s
Minimum illumination	0.002lux (F1.7)
Image	
Image collection format	2688*1520@30 (default), 2688*1520@25
Resolution	Main stream: 2688*1520, 1080P, 720P, D1; Sub stream: 720P (default), D1, 2CIF, CIF; Third stream: D1 (default), 2CIF, CIF
Frame rate	30 (default), 25, 22, 20, 18, 16, 15, 12.5, 10, 8, 6, 5, 4, 3, 2, 1
Video compression	H.264, H.265 (default)
ROI	Supports up to 8 regions
Video OSD	Supports 8 overlay areas and allows contents including date, time, date&time, zoom ratio, custom contents
Image OSD	Supports 8 overlay areas and allows contents including time, license plate number, device ID, camera ID, allowlist, image authentication ID, custom contents (3 items), location
Smart	
Application scenario	≤ 49mph for regular roads; Camera with the focal length of 8 to 32mm can be used for regular roads
Vehicle detection mode	Supports video detection
License plate number recognition	Supports recognition of license plates with numbers and letters by default
List configuration	Supports allowlist and blocklist configuration, each list allows 20,000 items Supports import, export, add, and delete operations
Barrier opening policy	Open barrier only for the recognized vehicles Open barrier for all vehicles Open barrier only for vehicles on the allowlist Open barrier for vehicles not on the blocklist Configurable Boolean output ID
Storage	
Edge storage	Supports ANR with a Micro SD card, up to 256GB
Structure	
Illumination	Built in integrated illumination module, including 4 warm light LEDs, 164'(50m) illumination distance, automatic on/off control
Bracket	3 axis mounting bracket
Junction box	The camera comes with a junction box for storing tail cable
Interface	
Network interface	1 × 10M/100M RJ45
Serial port	1 × RS485
Boolean output	1 relay output, withstand voltage: AC 125V/0.3A, DC 30V/1A
Boolean input	2 × input, supports level (up to DC 5V) and switch signal
Audio interface	1 × audio input, 1 × audio output
Storage interface	1 × Micro SD card slot 256GB
General	
Power supply	DC12V + 25% 10% Max. power consumption: 20W Supports PoE+ (802.3at, class 4)
Dimensions (L×W×H)	16 × 5 × 5.1 in (406mm × 126mm × 130mm)
Weight	4.6 lbs (2.1kg)
Operating environment	104°F ~ 140°F ( 40°C ~ 60°C), ≤90% RH
Ingress protection	IP67, IK10

#### Ordering Information

**VIS-P4LPR832NH-WL:** 4 Megapixel License Plate Recognition, 8-32mm