



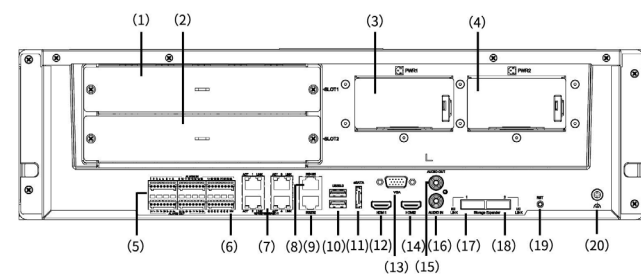
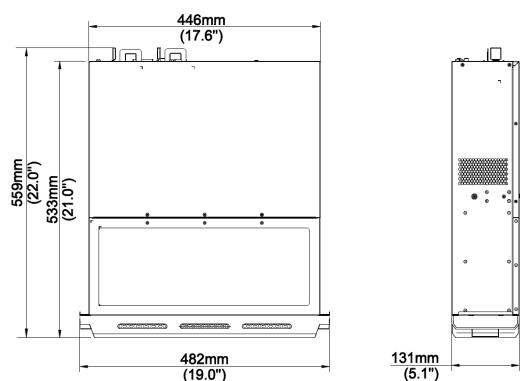
## VN3A-64

64 Ch NVR, 512 Mbps, (4) NIC Cards 16 HD Bays, 4K, With Cloud Upgrade

### Features

- 64 Channel IP Camera Input\*
- Up to 12 Megapixel Resolution Recording
- 512 Mbs Bit Rate Input
- Supports up to 16 channel simultaneous playback
- Works with ONVIF or other supported IP cameras
- Local HDMI main monitor output with 4K Support
- Local VGA main monitor output up to 1080p
- P2P Vision Stream Connect for Networking
- Smart Analytic Support/64ch SIP Max
- Multiple video search options including Smart Search for quick retrieval of footage.
- Ultra 265, H.265/H.264 video compression
- Supports Native Chrome/EDGE Use
- Free iOS & Android Apps for Smart Phones & Tablets
- Free Central Management Software (CMS) to manage multiple units & sites from a single platform
- Free MAC client software to easily manage your system from your Apple computer
- NDAA Compliant

\*To add HDMI outputs for multiple spot outputs use VIS-HDMI4A/VIS-HDMI7A



### Ordering Information

**VN3A-64:** 64 Ch NVR

Model	VN3A-64
Video/Audio Input	
IP Video Input	64-ch
Two-way Audio Input	1-ch, RCA
Network	
Incoming Bandwidth	512Mbps
Outgoing Bandwidth	512Mbps
Remote Users	128
Protocols	TCP/IP, P2P, UPnP, NTP, DHCP, PPPoE, HTTP, HTTPS, DNS, DDNS, SNMP, SMTP, NFS
Browser	IE(IE10/11) for Windows Firefox (version 52.0 and above) for Windows Chrome (version 45 and above) for Windows Edge(version 79 and above) for Windows
Video/Audio Output	
HDMI/VGA Output	VGA: 1920x1080p/60Hz, 1920x1080p/50Hz, 1600x1200/60Hz, 1280x1024/60Hz, 1280x720/60Hz, 1024x768/60Hz HDMI1/HDMI2: 4K (3840x2160)/30Hz, 1920x1080p/60Hz, 1920x1080p/50Hz, 1600x1200/60Hz, 1280x1024/60Hz, 1280x720/60Hz, 1024x768/60Hz
Recording Resolution	12MP/8MP/6MP/5MP/4MP/3MP/1080p/960p/720p/D1/2CIF/CIF
Audio Output	1-ch, RCA
Audio Compression	G.711A, G.711U
Synchronous Playback	16-ch
Live View Display	VGA: 1/4/6/8/9/16/25/36 HDMI1, HDMI2: 1/4/6/8/9/16/25/36/64
Corridor Mode Screen	3/4/5/7/9/10/12/16/32
Snapshot	
FTP/Schedule/Event Snapshot	64-ch snapshot, up to 4Kresolution
Decoding	
Decoding format	Ultra 265, H.265, H.264
Live View/Playback	12MP/8MP/6MP/5MP/4MP/3MP/1080p/960p/720p/D1/2CIF/CIF
Capability	3 x 12MP@25, 4 x 4K@30, 16 x 1080P@30, 32 x 960P@25, 36 x 720P@30, 64 x D1
Hard Disk	
SATA	16 SATA interfaces
Capacity	Up to 18TB WD & 20TB Seagate
Extension board	2 (Used for HDMI Expansion Cards)
miniSAS	2 miniSAS ports (Used for HDD Expansion Bays)
eSATA	1 eSATA interface, Max 10TB, Archive Only
Disk Group	Support
Disk Array Type	RAID 0, 1, 5, 6, 10, 50, 60
Smart	
VCA Detection by IPC	Face Detection, Face Comparison, Intrusion Detection, Cross Line Detection, Enter Area, Leave Area, Defocus Detection, Scene Change Detection, Object Left Behind, Object Removed, Auto Tracking, Temperature Detection(Fire Detection,Smoking Detection, Temperature Measurement, Smoke and Fire Detection), Ultra Motion Detection(UMD), Mixed-Traffic Detection, Traffic Monitoring
VCA Search	Face Snapshot Search, Face Comparison Search, Motor Vehicle Search, Non-Motor Vehicle Search, Human Body Search, General Search, Search by Image, People Counting Report
People Counting	People Flow Counting, Crowd Density Monitoring
Smart Intrusion Prevention (SIP), Vehicle Detection, Face Detection, Face Comparison, Temperature Detection, UMD by Camera	Total 64-ch
Face Picture Library	Up to 128 face picture libraries, with up to 500,000 face pictures in total
External Interface	
Network Interface	4 RJ-45 10M/100M/1000M adaptive Ethernet Interface
USB Interface	Front panel: 2 x USB2.0, Rear panel: 2 x USB3.0
RS232	1
RS485	1
Alarm In	24-ch
Alarm Out	8-ch
Power Output	12V, 1 AmP
General	
Power Supply	100 ~ 240V AC Power Consumption: ≤ 65 W (without HDD)
Working Environment	+14°F ~ +131°F (-10°C ~ +55°C), Humidity ≤ 90% RH (non-condensing)
Dimensions	21.0" × 19.0" × 5.1" (533mm × 482mm × 131.0mm)
Weight (without HDD)	27.6 lb (≤ 12.5 Kg)
Certification	
Certification	CE, FCC, UL, RoHS, WEEE
CE	EN 55032, EN 61000-3-3, EN IEC 61000-3-2, EN 55035
FCC	Part15 Subpart B

(1) Slot1	(2) Slot2	(3) Power Supply 1
(4) Power Supply 2 (optional)	(5) Alarm In/Out	(6) 12V DC Output
(7) Network Interface	(8) RS485	(9) RS232
(10) USB3.0	(11) eSATA	(12) HDMI1 Output
(13) VGA Output	(14) HDMI2 Output	(15) Audio Output
(16) Audio Input	(17) miniSAS	(18) miniSAS
(19) RST	(20) GND	