



| | |
|--|---|
| Model | VN4A-32 |
| Decoding | |
| Decoding Format | Ultra 265,H.265,H.264 |
| Decoding Capability | Smart Off: 2 x 16MP@30, 2 x 12MP@30, 4 x 4K@30, 8 x 4MP@30, 10 x 3MP@30, 16 x 1080P@30, 32 x 720P@30 Smart On: 2 x 12MP@30, 2 x 4K@30, 6 x 4MP@30, 8 x 3MP@30, 12 x 1080P@30, 24 x 720P@30, 32 x D1 |
| Decoding Capability Description | The resolution of each channel cannot exceed 8192 pixels in length and 4096 pixels in width; *. For VGA/HDMI independent output, the VGA live video is output by default. To output the highest resolution video from the HDMI port, please clear the VGA video on the preview page |
| Audio Compression | G.711A, G.711U |
| Network | |
| Incoming Bandwidth | Smart Off: 320Mbps Smart On: 160Mbps |
| Outgoing Bandwidth | 160Mbps |
| Remote Users | 128 |
| Protocols | TCP/IP; P2P; NTP; DHCP; PPPoE; HTTP; HTTPS; DNS; DDNS; SNMP; SMTP; NFS; RTSP; 802.1x; IPv6; IPv4 |
| Browser (Plugin) | Windows: IE (IE10/ 11), Firefox (version 52.0 and above), Chrome (version 45 and above), Edge (version 79 and above) |
| Video/Audio Input | |
| IP Video Input | 32 ch |
| RCA Audio Input | 1 ch |
| Video/Audio Output | |
| HDMI Output (independent) | 4K(3840x2160)/30Hz, 1920x1080/60Hz, 1920x1080/50Hz, 1600x1200/60Hz, 1280x1024/60Hz, 1280x720/60Hz, 1024x768/60Hz |
| VGA Output (independent) | 1920x1080/60Hz, 1920x1080/50Hz, 1600x1200/60Hz, 1280x1024/60Hz, 1280x720/60Hz, 1024x768/60Hz |
| RCA Audio Output | 1 ch |
| Liveview Display | 1/4/6/8/9/16/25/32 (HDMI/VGA) |
| Corridor Mode Screen | 3/4/5/7/9/10/12/16/32 |
| Two-way Audio | |
| Two-way Audio | 1 ch, RCA (Using the audio input and output) |
| Snapshot | |
| FTP/Schedule/Event Snapshot | 4 ch snapshot, up to 4K resolution |
| Recording | |
| Recording Resolution | 16MP/12MP/8MP/6MP/5MP/4MP/3MP/1080P/960P/720P/D1/2CIF/CIF |
| Synchronous Playback in Local | 16 ch |
| Smart | |
| VCA Detection by IPC | Face Detection; Face Comparison; Vehicle Detection; SIP (Intrusion Detection, Cross Line Detection, Enter Area, Leave Area); Ultra Motion Detection (UMD); Temperature Detection (Fire Detection, Smoking Detection, Temperature Measurement, Smoke and Fire Detection); People Counting (People Flow Counting, Crowd Density Monitoring); Video Metadata; Traffic Monitoring |
| Smart by NVR | Face Detection; Face Comparison; Smart Intrusion Prevention (SIP); Ultra Motion Detection (UMD) |
| VCA Search | Face Snapshot Search; Face Comparison Search; Motor Vehicle Search; Non Motor Vehicle Search; Human Body Search; General Search; People Counting Report; Heat Map; SmartSearch+; AcuSearch |
| Smart by IPC | All channels (up to 8 images/s in total)Face Detection, Face Comparison, Vehicle Detection, Temperature Detection, SIP, UMD, Video Metadata, Traffic Monitoring |
| Face Comparison by NVR with face detection cameras | 8 ch |
| Face Comparison by NVR with normal cameras | 2 ch |
| Face Picture Library | Up to 16 face picture libraries, with up to 50,000 face pictures in total |
| Search by Image | Support |
| Vehicle Picture Library | Up to 5 vehicle picture libraries, with up to 25,000 vehicle pictures in total |
| SIP by NVR | 4 ch |
| UMD by NVR | 8 ch |
| Capacity of Snapshot Records | 2 millions records for face snapshot; 2 millions records for vehicle snapshot; 3 millions records for SIP; 2 millions records for video Metadata |
| Alarm | |

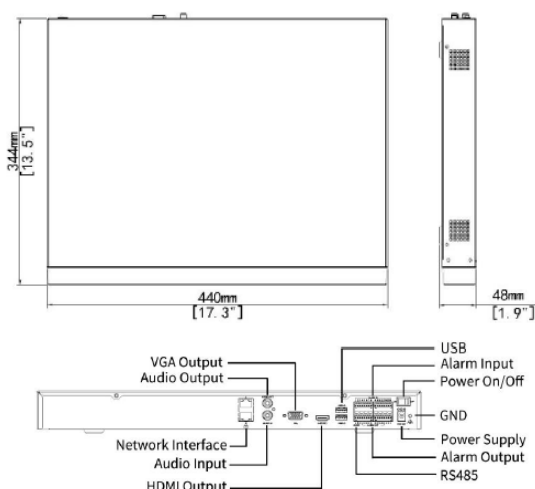
VN4A-32

32 Ch NVR, 320/160 Mbps, 4 HD Bays, 4K, With Cloud Upgrade and Smart Features

Features

- Smart Analytic Support/ 4CH SIP Max/ 2CH Face Comparison/ACCU Search
- (2) NIC Cards: Connect Cameras via Switch Behind Closed Network
- Up to 16 Megapixel Resolution Recording
- 320/160 Mbs Bit Rate Input (Smart Mode Off/On)
- Supports up to 16 channel simultaneous playback
- Supports RAID 1/5
- Works with ONVIF or other supported IP cameras (Profile S/G/T)
- Local HDMI main monitor output with 4K Support
- Local VGA main monitor output up to 1080p
- P2P Vision Stream Connect for Networking
- Multiple video search options including Smart Search for quick retrieval of footage
- Ultra H.265/H.265/H.264 video compression
- Free iOS & Android Apps for Smart Phones & Tablets
- Free Central Management Software (CMS) for PC/MAC
- NDAA Compliant

| | |
|---------------------------------|---|
| General Alarm | Defocus Detection; Scene Change Detection; Object Left Behind; Object Removed; Auto Tracking; Motion Detection; Tampering; Human Body Detection; Video Loss; Alarm Input; Audio Detection |
| Alert Alarm | IP Conflict; Network Disconnected; Disk Offline; Disk Abnormal; Illegal Access; Hard Disk Space Low; Hard Disk Full; Recording/Snapshot Abnormal; Array Damaged; Array Degraded |
| GUI Language | |
| GUI Language | 38 languages: Simplified Chinese, Traditional Chinese, English, Vietnamese, Thai, Turkish, Spanish (Latin America), Portuguese (Brazil), Spanish, Portuguese, French, German, Italian, Dutch, Polish, Czech, Hungarian, Slovak, Russian, Hebrew, Arabic, Ukrainian, Estonian, Bulgarian, Greek, Romanian, Danish, Swedish, Norwegian, Finnish, Croatian, Slovenia, Serbia, Korean, Japanese, Latvian, Lithuanian, Persian |
| Hard Disk | |
| SATA | 4 SATA Interfaces |
| Capacity | Up to 18TB WD/20TB Seagate for each HDD (The maximum HDD capacity varies with environment temperature) |
| Disk Group | Support |
| Redundant Storage | Support |
| Disk Array Type | RAID 1, 5 |
| External Interface | |
| Network Interface | 2 RJ45 10M/100M/1000M self adaptive Ethernet Interface |
| USB | Front panel: 1 x USB2.0; Rear panel: 1 x USB2.0, 1 x USB3.0 |
| RS485 | 1 |
| RS232 | N/A |
| Alarm In | 16 ch |
| Alarm Out | 4 ch |
| Power Supply | DC 12V/5A |
| Power Switch | Support |
| Working Environment | |
| Working Temperature | 14 °F ~ 122 °F (10 °C ~ 50 °C) |
| Working Humidity | ≤ 90% RH (non condensing) |
| Power Consumption (without HDD) | ≤ 12W |
| Dimensions | |
| Weight (without HDD) | ≤ 7.5lb (3.4Kg) |
| Height | 1U |
| Dimensions | 17.3"×13.5"×1.9" (440mm × 344mm × 48mm) |
| Certification | |
| Certification | CE; FCC; UL; RoHS; WEEE |
| CE | EN 55032, EN 61000 3 3, EN IEC 61000 3 2, EN 55035 |
| FCC | Part15 Subpart B |



Ordering Information

VN4A-32: 32 Ch NVR

InVid Tech, reserves the right to make changes to improve our products at any time without notice; we are not responsible for misprints.