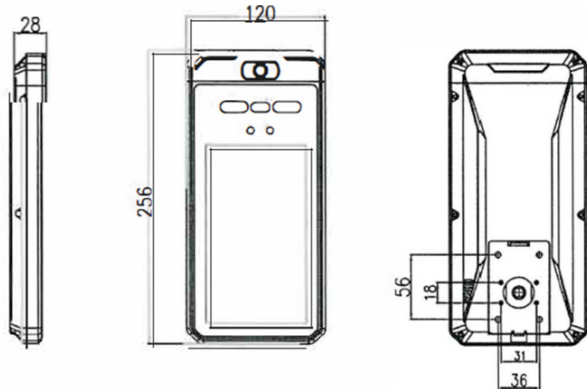




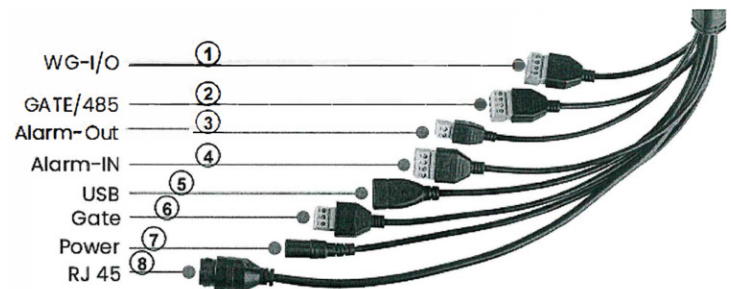
SEC-TEMP TERMINALTP

Face Recognition Terminal

- Non-contact temperature measurement
- Temperature measuring accuracy: $\pm 0.5^{\circ}\text{F}$
- Temperature measuring distance: 1.5 to 3 ft, response speed: $\leq 100\text{ms}$
- Face recognition distance: 1 to 6 ft
- Voice prompt will be triggered and door status (open/close) can be configured when detecting abnormal temperature
- Face recognition duration $\leq 0.2\text{ s}$ per face, face recognition accuracy rate $\geq 99.8\%$
- 30,000 face capacity, 60,000 event capacity
- 7-inch LCD touch screen, video lag-free, ghost-free
- Suggested height for face recognition: between 4 and 7 ft
- Support I/O, WG26, WG34, WG36, WG37, WG50, RJ45, USB, Door lock interfaces
- Questionnaire Feature
- InVid Tech Compliant



Temperature Measurement	
Temperature Range	82.4°F to 107.6°F (28 °c to 42 °c)
Sensor	Uncooled Microbolometer
Resolution	120x90
Measurement Accuracy	$\pm .5^{\circ}\text{F}$, Environment temperature: 68°F to 95°F (20°C to 35°C), No airflow indoor
Accuracy Decimal Place	.5 f
Measuring Distance	1.5 ~ 3 ft
Response Speed	$\leq 100\text{ms}$
Basic	
Display	7-inch LCD touch screen, Resolution: 600x1024
Camera	Dual-lens
Sensor	1/2.8" 2MP Progressive Scan CMOS
WDR	120dB
Light Compensation	Auto white light, Auto IR light (850 nm)
Storage Capacity	RAM: 1GB, EMMC: 8GB
Function	
Authentication Mode	Face, Body temperature, Mask Detection
Face Recognition Distance	1 ~ 6 ft
Liveness Detection	Support
Audio Prompt	Support (Custom Audio Optional)
Face Recognition Accuracy	$\geq 99.8\%$
Face Recognition Time	$\leq 0.2\text{ s}$
Face Database Capacity	30000
Record Capacity	60,000 event capacity
Interface	
Ethernet	1 RJ45 10M/100M Ethernet port
Alarm	3-ch alarm input, 1-ch alarm output
Wiegand Input	1 (Support peripheral card reader)
Wiegand Output	1 (WG26, WG34, WG36, WG37, WG50)
USB	1 USB2.0 port
Door Lock	Support
General	
Power Supply	12 v 2A DC (Included)
Power Consumption	Max 8W
Working Temperature	32 °F to 122 °F (0 °c to 50 °c) For temperature measurement: 68°F ~ 95°F (20 °c to 35 °c)
Working Humidity	0 ~ 90%, no condense
Dimensions (L x W x H)	4.7 x 1.1 x 10 in (120 x 28 x 256 mm)
Net Weight	2.2 lbs (1kg)



No.	Interface	Number	Notes
1	WG 1/0	1	Wiegand control interface and DC12V Power output interface
2	GATE/485	1	1-ch switching signal output and RS485 interface (reserved)
3	Alarm Out	1	1-ch alarm output interface
4	Alarm In	1	3-ch alarm input interface
5	USB	1	ID card reader (USB 2.0)
6	Gate	1	Door lock switching signal
7	Power	1	Power Connector
8	RJ45	1	Network interface

Ordering Information

SEC-TEMP TERMINALTP: Face Recognition Terminal

DISCLAIMER: InVid Tech products are not medical devices and cannot diagnose coronavirus infection. When configured correctly, the InVid Tech products discussed here can identify individuals showing higher than average temperature relative to a sample population. Only a licensed medical professional can determine if a "hot" individual is experiencing an abnormal medical condition. InVid Tech, reserves the right to make changes to improve our products at any time without notice; we are not responsible for misprints.